

FEATURES

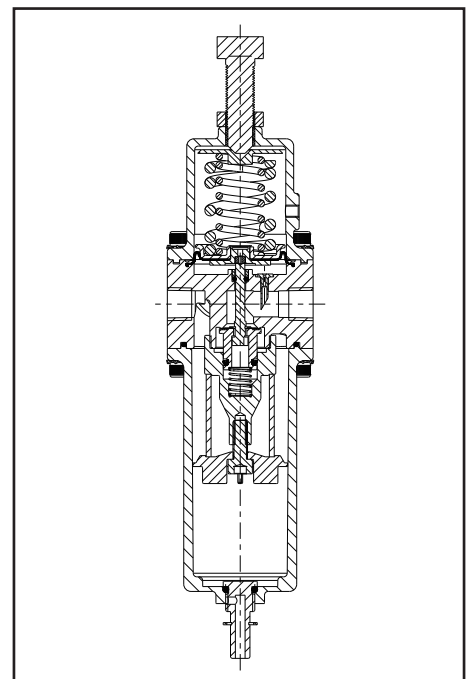
- *Stainless steel filter/regulator intended for corrosive environment and suitable for uses in potentially explosive atmosphere caused by gases, vapours, mists and/or dust according to:*
(ATEX directive 94/9/EC).
SAFETY CODE: Ⓜ II 2G/D c IIC T100°C (T5), with 80°C ambient temp / II 2G/D c IIC T85°C (T6), with 75°C ambient temp
(**ZONE 1-21**) Explosion group IIC Functional Safety: IEC 61508, SIL certified
- Compliance with the essential health and safety requirements has been assured with European Standards EN13643-1 and EN13643-5
- All internal metal parts in SS316, Elastomers in low temperature viton
- Built-in overpressure relieving function
- Moisture removal by centrifugation of the air, 5 and 25 microns filtering element
- Large operating temperature -40° C to 80° C
- Body, bonnet and internal parts in stainless steel according to ASTM A351/ NACE MR 0175



GENERAL

Fluids	Compressed air, neutral and sour gas
Ports	1/4 NPT and 1/2 NPT
Maximum inlet pressure	20 bar
Adjustable pressure	0.5 - 10 bar [1 bar = 100 kPa]
Hysteresis	< 0.2 bar
Filtering size	25µm & 5µm
Ambient temperature	-40°C to +80°C
Maximum flow	at 6.3 bar, See specifications and charts

* -50°C low temperature option is available on request



CONSTRUCTION

Body	AISI 316 SS
Bowl	AISI 316 SS
Filtering element	AISI 316 SS
Diaphragm	Reinforced viton & viton O-rings
Condensate drain	Manual drain, Auto drain as option
Pressure adjusting screw	Hexagon head screw with locking nut

SPECIFICATIONS

Port Size	Bowl Capacity	Filtering Capacity	Adjustable Pressure	Maximum Flow		Filter / Regulator	Spare Parts Kits
				at 6.3 bar pressure setpoint and DP of 1 bar / setpoint		Gauge Connection	
INS NPT	(cm ³)	(µm)	(bar)	l/min. (ANR)	dm ³ /s (ANR)	NPT	Catalog Number
25µm filtration 0.5 - 10 bar adjustment							
1/4	98	25	0.5-10	2450 ¹	41	1/4	C325 305
1/2	98	25	0.5-10	4430 ²	74	1/4	C325 306
5µm filtration 0.5 - 10 bar adjustment							
1/4	98	5	0.5-10	2380 ³	40	1/4	C325 307
1/2	98	5	0.5-10	3920 ⁴	65	1/4	C325 308

⁽¹⁾ KV= 2.27[m³/hr], 37.88[l/min] ⁽³⁾ KV= 2.21[m³/hr], 36.80[l/min]

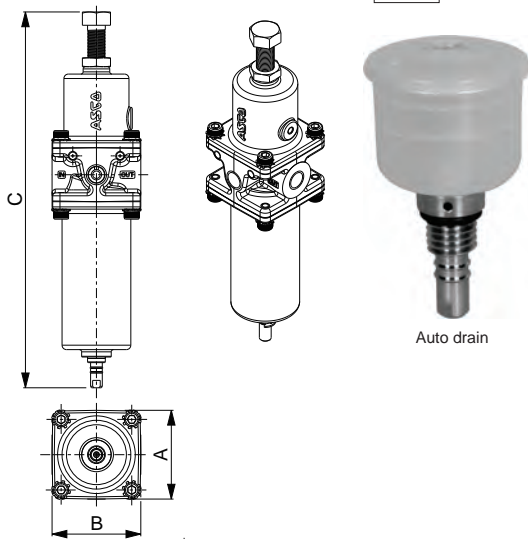
⁽²⁾ KV= 4.11[m³/hr], 68.50[l/min] ⁽⁴⁾ KV= 3.63[m³/hr], 60.62[l/min]

Spare parts kits includes: o-rings, diaphragm assembly & filter element

ORDERING EXAMPLES

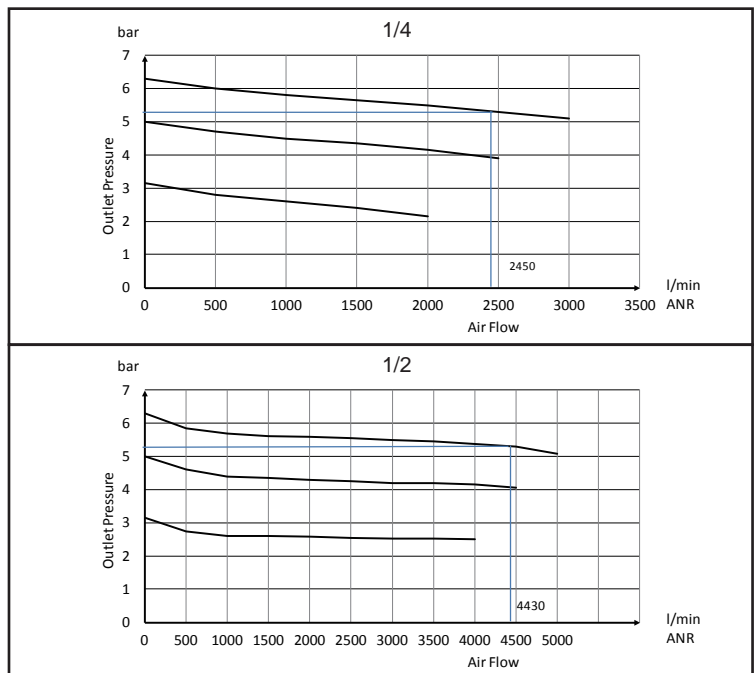
342					Series																											
A					Change Letter																											
8					-																											
0	Non relief				Relief / Vent Hole																											
2	M5 thread																															
4	1/8" NPT thread																															
0	None				NACE Compliance																											
2	Yes																															
25 micron 1 1/4" NPT 3 1/2" NPT 5 micron 5 1/4" NPT 7 1/2" NPT					Filtration Port size																											
Suffix Table <table border="1"> <thead> <tr> <th>1</th> <th>2</th> <th>3</th> <th>4</th> <th>Description</th> <th></th> </tr> </thead> <tbody> <tr> <td>AD</td> <td></td> <td></td> <td></td> <td>Autodrain</td> <td rowspan="4">Optional</td> </tr> <tr> <td></td> <td>LT</td> <td></td> <td></td> <td>Low temperature: - 50°C</td> </tr> <tr> <td></td> <td></td> <td>G</td> <td></td> <td>Stainless steel pressure gauge</td> </tr> <tr> <td></td> <td></td> <td></td> <td>MB</td> <td>Mounting bracket</td> </tr> </tbody> </table>						1	2	3	4	Description		AD				Autodrain	Optional		LT			Low temperature: - 50°C			G		Stainless steel pressure gauge				MB	Mounting bracket
1	2	3	4	Description																												
AD				Autodrain	Optional																											
	LT			Low temperature: - 50°C																												
		G		Stainless steel pressure gauge																												
			MB	Mounting bracket																												
342	A	8	2	0	1	G	MB	ORDERING EXAMPLES																								

DIMENSIONS(mm), WEIGHT(kg)

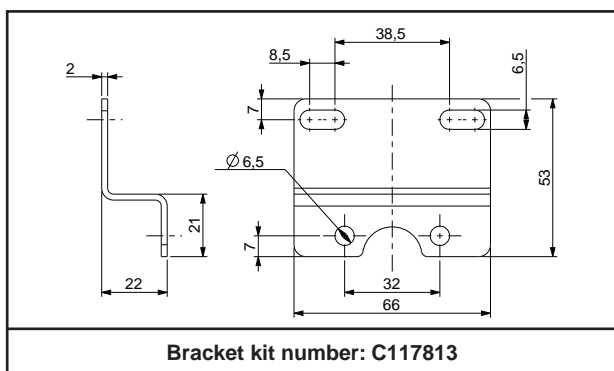


A	B	C	C (Auto drain)	ØD	Weight (kg)
60	60	256	254.1	1/4" NPT	1.60
60	65			1/2" NPT	

PRESSURE DROP vs. AIR FLOW CURVE



MOUNTING BRACKET



ADDITIONAL OPTIONS

- Other sizes of pressure relief connection available on request
- Stainless steel pressure gauge (0 - 12 bar scale division), Kit number C325 316
- Auto drain operating pressure is 2.5 - 10 bar, operating temperature is 0 - 60°C
- For Auto Drain - All metal parts are made of SS316. Elastomers are in Viton material. Float is of PP material (NACE version is also available)

INSTALLATION

- Installation / Maintenance instructions are included with each filter regulator
- Air flow direction indicated by an arrow as well as inlet & outlet indicators
- Pipe connection has standard thread according to NPT (ANSI 1.20.3)