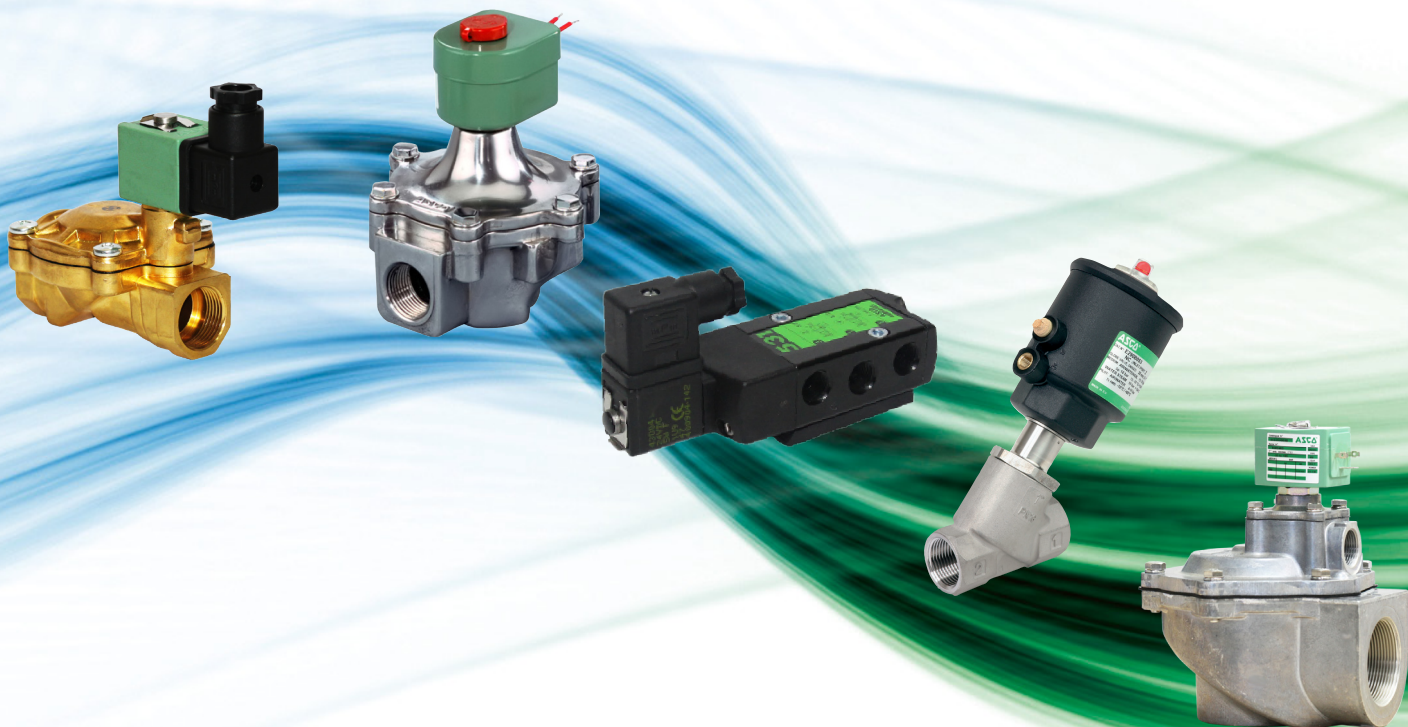


# ASCO EXPRESS™

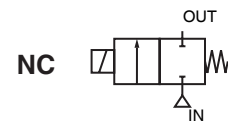
## Asia Pacific Express Catalog

Industrial



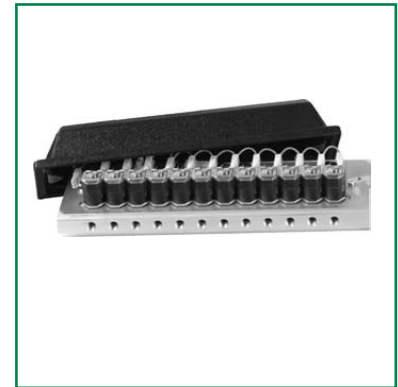
Series	Page
110	2
210	3
215	5
220	6
223	7
238	8
256	9
262	10
291	11
292	12
353	13
356	14
E290	15
S290	17
290PD	19
320	21
RB	22
HV293734	23
531	24
X189	25
190	26
541&543	27
450	28
453	29
501	30
503	31
G3	32
580	33
C	34
J3	35
651&652	37
YA	38
YB	40
L172&L176	42
L182&L282	43
L182 big	45
L282 big	46
L372&L376	47
VCEF/VCEV Installation	48

The lead time is business 10 days for any items in this catalogue with quantity equal to or less than 10 pieces for each part number. Over quantity of 10 pieces, please contact with ASCO.



## FEATURES

- Compact pilot boxes with direct operated, integrated pilot valves
- Especially designed for the remote control of pulse valves (series 353)
- Valve seats are integrated in base plate
- Common exhaust connection for just 1 or 2 (G 3/8) silencers
- Built-in heating elements for trouble free operation at low ambient temperatures
- Degree of protection: IP65
- Facilities for integrated quick fittings



## STANDARD VOLTAGES

DC (=) : 24V

AC (-) : 115V-230V/50-60Hz

## SPECIFICATIONS

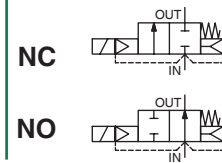
Number of Pilot Valves	Pipe Size	Orifice Size	Flow Coefficient Kv		Operating Pressure Differential (bar)		Catalog Number for the Boxes <sup>(1)</sup>
					Min.	Maximum (PS)	
						Air ~/=	
	G	(mm)	(m <sup>3</sup> /h)	(l/min)			without Heating
2	1/8	3.6	0.35	5.8	0	8.5	SG110A020
3							SG110A030
4							SG110A040
5							SG110A050
6							SG110A060
7							SG110A070
8							SG110A080
9							SG110A090
10							SG110A100
11							SG110A110
12							SG110A120

(1) Minimum ambient temperature without heating elements: 0°C



# SOLENOID VALVES

pilot operated, hung diaphragm  
brass or stainless steel bodies  
3/8" - 2"



**2/2**  
Series  
**210**

## FEATURES

- Two way shut-off valves for the control air, inert gas, water, oil and other gases/liquids compatible with the sealing material used
- Valves do not require a minimum operating pressure
- All products are covered by Pressure Equipment Directive 97/23/EC and are suitable for group 1 and 2 fluids
- The solenoid valves satisfy all relevant EC directives



## STANDARD VOLTAGES

DC (=) : 24V; 125V(HC)  
AC (-) : VC, EF/VCEF, Redhat II 110V/50Hz-120V/60Hz; 220V/50Hz-240V/60Hz  
SC, NF, WP, PV 115V/50Hz; 120V/60Hz; 230V/50Hz

## SPECIFICATIONS

Pipe Size	Orifice Size	Flow Coefficient Kv		Operating Pressure Differential (bar)						Prefix								No Prefix	Catalog Number		Option								
				Max. (PS)						SC	PV	VC	EF/VCEF <sup>(6)</sup>	NF/NFET	JKF/JKH	HT	HB		HC	WP	Brass	Stainless Steel	FPM	EPDM					
				Min.	~	=	~	=	~																=				
<b>NC - Normally closed</b>																													
3/8	10	1.3	22	- <sup>(4)</sup>	10	3	9	3	-	-	•	-	•	•	-	-	-	-	•	-	-	-	-	-	-	8210G036	V	-	
3/8	16	2.6	43	0.3	14	9	10	7	9	7	•	-	•	•	-	-	-	-	•	8210G001	-	-	-	-	-	-	V	-	
3/8	16	2.6	43	0.35	14	9	10	7	9	7	•	-	-	-	-	-	-	-	-	E210D001	-	-	-	-	-	-	V	-	
3/8	16	2.6	43	0	10	3	10	3	-	-	•	-	•	•	-	-	-	-	•	8210G093	-	-	-	-	-	-	V	-	
3/8	16	2.6	43	0	9	3	9	3	-	-	•	-	-	-	-	-	-	-	•	❖210C093	-	-	-	-	-	-	V	-	
1/2	11	1.9	32	0	10	3	9	3	-	-	•	-	•	•	-	-	-	-	•	8210G015	-	-	-	-	-	-	V	-	
1/2	11	1.9	32	0	10	3	9	3	-	-	•	-	•	•	-	-	-	-	•	-	8210G037	V	E	-	-	-	V	-	
1/2	16	3.4	57	0	9	3	9	3	-	-	•	-	-	-	-	-	-	-	•	❖210C094	-	-	-	-	-	-	V	-	
1/2	16	3.4	57	0	10	3	10	3	-	-	•	-	•	•	-	-	-	-	•	8210G094 <sup>(5)</sup>	-	-	-	-	-	-	V	-	
1/2	16	3.4	57	0.3	14	9	10	7	9	7	•	-	•	•	-	-	-	-	•	8210G002	-	-	-	-	-	-	V	-	
1/2	16	3.4	57	0.35	14	9	10	7	9	7	•	•	-	-	•	-	-	-	•	❖210D002 <sup>(5)</sup>	-	-	-	-	-	-	V	-	
1/2	16	3.4	57	0.3	21	-	21	-	21	-	•	-	•	•	-	-	-	-	•	8210G007	-	-	-	-	-	-	V	-	
1/2	16	3.4	57	0.35	20	-	20	-	20	-	•	-	-	-	-	-	-	-	•	❖210C007	-	-	-	-	-	-	V	-	
1/2	16	3.4	57	0	10	3	10	3	9	-	•	-	•	•	-	-	-	-	•	-	8210G087	V	-	-	-	-	-	V	-
1/2	16	3.4	57	0	9	3	9	3	9	-	•	-	-	-	-	-	-	-	•	❖210C087	-	-	-	-	-	-	V	-	
3/4	16	3.9	65	0	10	3	10	3	9	-	•	-	•	•	-	-	-	-	•	-	8210G088	V	E	-	-	-	V	-	
3/4	16	3.9	65	0	9	3	9	3	9	-	•	-	-	-	-	-	-	-	•	❖210C088	-	-	-	-	-	-	V	-	
3/4	19	4.3	72	0	10	3	10	3	-	-	•	-	•	•	-	-	-	-	•	8210G095	-	-	-	-	-	-	V	-	
3/4	19	4.3	72	0	9	3	9	3	-	-	•	-	-	-	-	-	-	-	•	❖210D095	-	-	-	-	-	-	V	E	
3/4	19	4.3	72	0.3	9	7	9	6	9	5	•	-	•	•	-	-	-	-	•	8210G009 <sup>(5)</sup>	-	-	-	-	-	-	V	E	
3/4	19	4.3	72	0.35	9	7	9	6	9	5	•	-	-	-	-	-	-	-	•	❖210D009	-	-	-	-	-	-	V	-	
3/4	19	5.6	93	0.3	17	9	10	9	7	9	•	-	•	•	-	-	-	-	•	8210G003	-	-	-	-	-	-	V	-	
3/4	19	5.6	93	0.35	17	9	10	9	7	9	•	-	-	-	-	-	-	-	•	❖210D003	-	-	-	-	-	-	V	-	
1	25	11	183	0.3	10	9	10	9	7	9	•	-	•	•	-	-	-	-	•	8210G004	-	-	-	-	-	-	V	-	
1	25	11.1	185	0.35	9	9	9	9	9	-	•	-	-	-	-	-	-	-	•	❖210D004	-	-	-	-	-	-	V	-	
1	25	11	183	0	10	-	9	-	9	-	•	-	-	-	-	-	-	-	•	8210G054 <sup>(2)</sup>	-	-	-	-	-	-	V	-	
1	25	11	183	0	10	-	9	-	9	-	•	-	-	-	-	-	-	-	•	❖210B154	-	-	-	-	-	-	V	-	
1	25	11	183	0	10	7	9	7	9	6	•	-	•	•	-	-	-	-	•	-	8210G089 <sup>(2)</sup>	V	E	-	-	-	V	-	
1	25	11	183	0	10	7	9	7	9	6	•	-	-	-	-	-	-	-	•	-	❖210D189	V	-	-	-	-	V	-	
1	25	11.6	193	0.7	20	16	20	16	20	14	-	-	-	-	-	-	-	-	•	❖210B078	-	-	-	-	-	-	V	-	

Asia Pacific Express Catalog-Rev1.0(1/1/2017)



SPECIFICATIONS

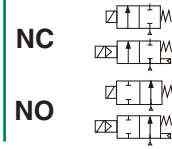
Pipe Size	Orifice Size	Flow Coefficient Kv		Operating Pressure Differential (bar)								Prefix								No Prefix	Catalog Number		Option				
				Max. (PS)								SC	PV	VC	EF/VCEF <sup>(3)</sup>	NF/NFET	JKF	JKH	HT		HB	HC	WP	Brass	Stainless Steel	FPM	EPDM
				Air				Water																			
<b>NC - Normally closed</b>																											
1 1/4	28	12.8	213	0	9	6	9	6	9	6	•	-	-	-	•	-	-	-	-	•	-	•	210B155	-	V	-	
1 1/4	29	13	216	0.3	10	9	10	9	7	9	•	-	•	•	-	•	•	-	-	•	-	8210G008	-	V	-		
1 1/4	28	12.8	213	0	9	9	9	9	9	9	•	-	-	-	•	-	-	-	-	•	-	E210D008	-	V	-		
1 1/2	32	19.5	325	0	10	7	9	7	9	6	-	-	•	•	-	-	•	-	-	•	-	8210G056 <sup>(2)</sup>	-	V	-		
1 1/2	32	19.5	325	0	10	7	9	7	9	6	•	-	-	-	•	-	-	-	-	•	-	•210B156	-	V	-		
1 1/2	32	19.5	325	0.3	10	9	10	9	7	9	•	-	•	•	-	•	•	-	-	•	-	8210G022	-	V	-		
1 1/2	32	19.3	322	0.35	9	9	9	9	9	9	•	-	-	-	•	-	•	-	-	•	-	•210D022	-	V	-		
1 1/2	32	19.3	322	0.7	20	16	20	14	20	14	•	-	-	-	•	-	•	-	-	•	-	•210B082	-	V	-		
1 1/2	32	19.3	322	0.35	9	9	9	9	9	9	•	-	-	-	•	-	•	-	-	•	-	-	•210A127	V	-	-	
2	44	37	617	0.35	9	3	9	3	6	3	•	-	-	-	•	-	•	-	-	•	-	•210-100	-	V	-		
2	44	37	617	0.3	10	6	9	3	3	3	•	-	•	•	-	•	•	-	-	•	-	8210G100	-	V	-		
<b>Gas shut-off - Normally closed</b>																											
1/2	16	3.1	52	0.3	17	-	-	-	-	-	-	-	•	•	-	-	-	-	-	•	-	8210G106B	-	-	-		
1/2	16	3.1	52	0	3.4	-	-	-	-	-	•	-	•	•	-	-	•	-	-	•	-	8210G075	-	-	-		
3/4	16	4.3	72	0	3.4	-	-	-	-	-	•	-	•	•	-	-	•	-	-	•	-	8210G076	-	-	-		
<b>NO - Normally open</b>																											
1/2	16	3.4	57	0	10	9	10	9	9	6	•	-	•	•	-	•	•	-	•	-	•	8210G034	-	V	-		
1/2	16	3.4	57	0	9	9	9	9	9	5	•	-	-	-	•	-	•	-	-	•	-	•210C034	-	V	-		
1/2	16	2.6	43	0	10	9	10	9	7	6	-	-	-	-	•	-	•	-	-	•	-	-	•210B030	V	-	-	
3/4	16	2.6	43	0	10	9	10	9	7	6	•	-	•	•	-	•	•	-	-	•	-	8210G038	-	V	-		
3/4	16	2.6	43	0	10	9	10	9	7	6	-	-	-	-	•	-	•	-	-	•	-	•210B038	-	V	-		
3/4	19	4.7	79	0	10	9	0	9	9	6	•	-	•	•	-	•	•	-	•	-	•	8210G035	-	V	-		
3/4	19	4.7	79	0	10	9	10	9	9	6	•	-	-	-	•	-	•	-	-	•	-	•210C035	-	V	-		
1	25	11.2	185	0	9	-	9	-	9	-	•	-	-	-	•	-	-	•	-	•	-	•210B057	-	-	-		
1	25	11.1	185	0.35	9	9	9	9	9	9	-	-	-	-	•	-	-	-	-	•	-	8210D014	-	-	-		
1 1/2	32	19.5	325	0.3	10	-	10	-	9	-	•	-	•	•	-	-	-	-	-	•	-	8210G032	-	-	-		

- Available Express
- (1) DC only
- (2) In case of AC, the standard voltage will be 110V/50 Hz; 120V/60 Hz; 220V/50 Hz; 240V/60 Hz
- (3) Please refer to the page 69 for VCEF installation
- (4) 0.3 bar on Air; 0.0 bar on Water
- (5) Additional Express model: 8210G094HW, •210D002MO, 8210G009MO, 8210G009HW & 8210G034VM
- Stands for options of "B or 8" for NPT port thread and "E" for BSP port thread



# SOLENOID VALVES

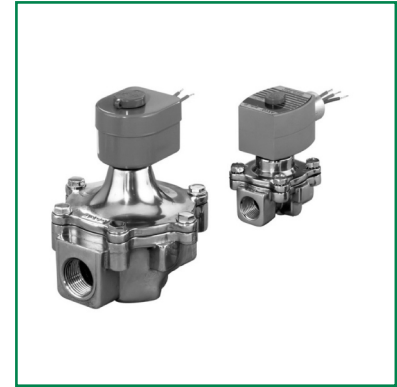
high flow low pressure  
aluminum body  
1/8" - 3"



**2/2**  
Series  
**215**

## FEATURES

- Lightweight, low-cost valves for air service
- Ideal for low pressure applications
- Provides high flow, Cv up to 138 (Kv 118)
- Air and vacuum service



## STANDARD VOLTAGES

DC (=) : 24V

AC (-) : 110V/50Hz-120V/60Hz; 220V/50Hz-240V/60Hz

## SPECIFICATIONS

Pipe Size (in)	Orifice Size (mm)	Kv Flow Factor (m <sup>3</sup> /h)	Gas Capacity Btu/hr	Operating Pressure Differential (bar)			Max. Fluid Temp. °C		Prefix		No Prefix	Catalog Number
				Min.	Max. AC Air-Fuel Gas	Max. DC Air-Fuel Gas	AC	DC	EF/VCEF <sup>(1)</sup>	HT		
<b>NC - Normally closed (Closed when de-energized)</b>												
1/2	19	3.8	238500	0	3.4	1.7	52	40	•	•	•	8215G020
3/4	19	4.4	247500	0	3.4	1.7	52	40	•	•	•	8215G030
1	41	18	1119000	0	1.7	-	52	-	-	•	•	8215B050
1	41	18	1119000	0	1.7	1.7	52	25	•	-	•	8215G050 <sup>(3)</sup>
1	41	18	1119000	0	0.3	-	52	-	•	-	•	X8215G050 <sup>(2)(3)</sup>
1 1/4	41	27	1730000	0	0.3	-	52	-	•	-	•	X8215G060 <sup>(2)(3)</sup>
1 1/2	53	51	3251000	0	1.7	-	52	-	-	•	•	8215B070
1 1/2	53	51	3251000	0	1.7	1	52	25	•	•	•	8215G070 <sup>(3)</sup>
1 1/2	53	51	3251000	0	0.3	-	52	-	•	•	•	X8215G070 <sup>(2)(3)</sup>
2	53	51	3251000	0	1.7	-	52	-	-	•	•	8215B080
2	53	51	3251000	0	1.7	1	52	25	•	•	•	8215G080 <sup>(3)</sup>
2	53	51	3251000	0	0.3	-	52	-	•	•	•	X8215G080 <sup>(2)(3)</sup>
<b>NO - Normally open (Open when de-energized)</b>												
1/2	19	3.4	206250	0	8.6	8.6	52	40	•	•	•	8215G023
3/4	19	3.9	247500	0	8.6	8.6	52	40	•	•	•	8215G033
1 1/2	41	32	1988250	0	1.7	1	52	25	-	-	-	8215C073
1 1/2	41	32	1988250	0	1.7	1	52	25	•	-	•	8215G073 <sup>(3)</sup>

• Available Express

(1) Please refer to the page 69 for VCEF installation

(2) Available option: TPL 24080 for low pressure gas & TPL 24047 for KOSHA approval

(3) In case of AC, the standard voltage will be 220V/50 Hz





# HOT WATER AND STEAM VALVES

Brass or Stainless Steel Bodies  
1/8" - 2 1/2" NPT

2/2  
Series  
220

## FEATURES

- Hot water service to 210 psi differential @ 210°F;  
Steam service to 125 psi differential @ 353°F
- Specify these valves for the high-temperature applications found in laundries, molding, steam atomization, sterilizers, autoclaves, and many others
- Pilot operated diaphragm valves
- Pilot operated diaphragm and piston valves; floating PTFE diaphragms or stainless steel pistons with EPDM or PTFE discs, available in both AC & DC voltages



## STANDARD VOLTAGES

AC (-) : 110V/50Hz-120V/60Hz; 220V/50Hz-240V/60Hz

## SPECIFICATIONS

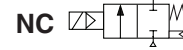
Pipe Size (in)	Orifice Size (mm)	Kv Flow Factor (m <sup>3</sup> /h)	Operating Pressure Differential (bar)				Max. Fluid Temp. °C				No Prefix	Catalog Number	
			Min.	Max. AC		Max. DC		AC		DC			
				Steam	Hot Water	Steam	Hot Water	Steam	Hot Water	Steam		Hot Water	Brass Body
<b>Steam/Hot water service - Pilot operated - Normally closed (Closed when de-energized)</b>													
1/2	16	4	0.3	9	10	-	-	177	98	-	-	●	8220G021
3/4	19	7.5	0.3	9	10	-	-	177	98	-	-	●	8220G023
1	25	11.57	0.3	9	10.3	-	-	178	99	-	-	●	8220G025

- Available Express



# SOLENOID VALVES

high pressure  
brass or stainless steel bodies  
1/4" - 3/4"



**2/2**  
Series  
**223**

## FEATURES

- Rugged piston construction built to withstand pressure ratings to 1500 psi
- Angle body design for high flows
- Ideal for high-pressure water applications, such as car washes
- Mountable in any position



## STANDARD VOLTAGES

DC (=) : 24V  
 AC (-) : VC, EF/VCEF, Redhat II 110V/50Hz-120V/60Hz; 220V/50Hz-240V/60Hz  
 SC, NF 115V/50Hz; 120V/60 Hz; 230V/50Hz

## SPECIFICATIONS

Pipe Size (in)	Orifice Size (mm)	Kv Flow Factor (m <sup>3</sup> /h)	Operating Pressure Differential (bar)							Max. Fluid Temp. °C		Prefix					No Prefix	Catalog Number		
			Min.	Max. AC			Max. DC			AC	DC	SC	VC	EF/VCEF <sup>(1)</sup>	NF/NFET	HB		Brass	Stainless Steel	
				Air-Inert Gas	Water	Light Oil @ 300 SSU	Air-Inert Gas	Water	Light Oil @ 300 SSU											
<b>NC - Normally closed (Closed when de-energized)</b>																				
3/8	8	1.3	0.7	52	52	52	28	28	28	93	65	-	-	•	-	-	•	8223G023	-	
1/2	10	2.7	1.7	103	103	103	34	34	34	93	65	-	•	•	-	•	•	8223G003	-	
1/2	9	2.7	1.8	100	100	100	35	35	35	90	90	-	-	-	•	-	-	-	B223A010	
1/2	10	2.7	1.7	103	103	103	34	34	34	93	65	•	•	•	-	•	•	-	8223G010	
3/4	19	6.7	1.8	50	50	50	20	20	20	90	90	-	-	-	•	-	-	-	B223B005	-
3/4	19	6.7	1.7	52	52	52	31	31	31	93	65	•	-	-	-	-	•	-	8223G005	-
3/4	19	6.7	1.8	50	50	50	20	20	20	90	90	-	-	-	•	-	-	-	-	B223A012
3/4	19	6.7	1.7	52	52	52	31	31	31	93	65	-	-	•	-	-	•	-	-	8223G012

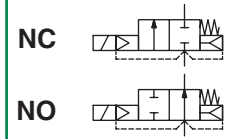
• Available Express  
 (1) Please refer to the page 69 for VCEF installation





# SOLENOID VALVES

pilot operated, floating diaphragm  
brass body  
3/8" - 2"



**2/2**  
Series  
**238**

## FEATURES

- Minimum operating pressure differential  $\Delta P$  0.3/0.5 bar
- Two way valves for automatic control of water, air and inert gas and other gases/liquids compatible with the sealing materials used
- Interchangeability of magnetic heads, AC and DC
- The solenoid valves satisfy all relevant EC Directives



## STANDARD VOLTAGES

DC (=) : 24V  
AC (-) : 115V/50Hz-120V/60Hz; 230V/50-60Hz

## SPECIFICATIONS

Pipe Size	Orifice Size	Flow Coefficient Kv		Operating Pressure Differential (bar)			Power Coil (W)		Prefix	Catalog Number		Option	
				Min.	Max. (PS)		~	=		SC	Brass	Stainless Steel	Maintained Man.Operator
(mm)	(m <sup>3</sup> /h)	(l/min)	~		=	~			=				
<b>NC - Normally closed</b>													
3/8	12.5	2.1	35	0	10	10	6	15.3	•	G238A044 <sup>(1)</sup>	-	-	V
1/2	12.5	2.1	35	0	10	10	6	15.3	•	G238A046 <sup>(1)</sup>	-	-	V
3/4	19	4.5	75	0	10	10	6	15.3	•	G238A048 <sup>(1)</sup>	-	-	V
1	25	10	166	0	10	10	9	15.3	•	G238A050 <sup>(1)</sup>	-	-	V
3/8	12	2.4	40	0.3	10	10	4	6.9	•	E238D001	-	-	V
3/8	13.5	2.5	41.7	0.35	12	12	4	6.9	•	-	G238D101V	MO	E
1/2	12	2.4	40	0.3	10	10	4	6.9	•	E238D002	-	-	V
1/2	13.5	3.8	63.3	0.35	12	12	4	6.9	•	-	G238D102V	MO	E
1/2	15	4.2	70	0.3	10	10	4	6.9	•	E238D003	-	-	V
3/4	20	6.6	110	0.3	10	10	4	6.9	•	E238D004	-	-	V
3/4	18	5	83.3	0.35	10	10	4	6.9	•	-	G238D103V	MO	E
1	25	9.9	165	0.3	10	10	4	6.9	•	E238D005	-	-	V
1	24	12	200	0.35	10	10	4	6.9	•	-	G238D104V	MO	E
3/8	12	2.4	40	0.3	16	16	5	6.9	•	E238D006	-	-	V
1/2	12	2.4	40	0.3	16	16	5	6.9	•	E238D007	-	-	V
1/2	15	4.2	70	0.3	16	16	5	6.9	•	E238D008	-	-	V
3/4	20	6.6	110	0.3	16	16	5	6.9	•	E238D009	-	-	V
1	25	9.9	165	0.3	16	16	5	6.9	•	E238D010	-	-	V
1 1/4	30	15	250	0.5	10	10	8	9	•	G238F016 <sup>(2)</sup>	-	-	V
1 1/2	45	27	450	0.5	10	10	8	9	•	G238F017 <sup>(2)</sup>	-	-	V
2	45	34	566	0.5	10	10	8	9	•	G238F018 <sup>(2)</sup>	-	-	V
<b>NO - Normally open</b>													
3/8	13.5	2.5	41.7	0.35	12	12	4	6.9	•	-	G238D105V	MO	E
1/2	13.5	3.8	63.3	0.35	12	12	4	6.9	•	-	G238D106V	MO	E
3/4	18	5	83.3	0.35	10	10	4	6.9	•	-	G238D107V	MO	E
1	24	12	200	0.35	10	10	4	6.9	•	-	G238D108V	MO	E
1 1/4	30	15	250	0.5	10	10	12.5	9	•	G238E019 <sup>(2)</sup>	-	-	-
1 1/2	45	27	450	0.5	9	9	12.5	9	•	G238E020 <sup>(2)</sup>	-	-	-
2	45	34	566	0.5	9	9	12.5	9	•	G238E021 <sup>(2)</sup>	-	-	-

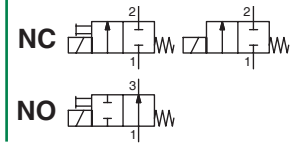
• Available Express  
(1) In case of AC, the standard voltage will be 115/50 Hz; 120V/60 Hz; 230V/50 Hz  
(2) In case of AC, the standard voltage will be 220V/50 - 240V/60 Hz





# SOLENOID VALVES

direct operated  
brass or stainless steel bodies  
1/8" - 1/4"



**2/2**  
Series  
**256**

## FEATURES

- Wide range of flow and pressure ratings
- Quick disassembly of core tube for easy maintenance of internal parts
- Standard disc seal made of FPM suitable for a wide range of operating temperatures and compatible with many fluids
- Standard manual operator allows an easy installation (Except 4 and 5 mm orifice sizes)
- AC/DC interchangeability of the solenoid without disassembly of the valve
- Compact and low weight valve



## STANDARD VOLTAGES

DC (=) : 24V

AC (-) : 115V/50Hz-120V/60Hz; 230V/50-60Hz

## SPECIFICATIONS

Pipe Size	Orifice Size	Flow Coefficient Kv		Operating Pressure Differential (bar)								Power Coil (W)		Prefix			Catalog Number		Options
				Min.	Max. (PS)						Brass						Stainless Steel		
					Air	Water	Oil	~	=	~								=	
G	(mm)	(m³/h)	(l/min)		~	=	~	=	~	=	~	=	SC	PV	U	~/=	~/=		
<b>NC - Normally closed</b>																			
1/8	1.2	0.05	0.8	0	28	20	28	20	28	20	4	6.9	•	-	-	G256B001V	-	MS	
1/8	1.6	0.08	1.33	0	20	12	20	12	20	12	4	6.9	•	-	•	-	8256B014V	-	
1/8	1.6	0.08	1.33	0	20	12	20	12	20	12	4	6.9	•	-	-	G256B002V	G256B014V	MS	
1/8	2	0.11	1.83	0	15	6	15	6	15	6	4	6.9	•	-	-	G256B003V	-	-	
1/8	2	0.11	1.83	0	15	6	15	6	15	6	4	6.9	•	-	-	-	G256B015V	MS	
1/8	2.4	0.13	2.16	0	12	4	12	4	12	4	4	6.9	•	-	-	G256B004V	-	-	
1/8	2.4	0.13	2.16	0	12	4	12	4	12	4	4	6.9	•	-	•	-	8256B016V	-	
1/8	2.4	0.13	2.16	0	12	4	12	4	12	4	4	6.9	•	-	-	-	G256B016V	MS	
1/4	1.6	0.08	1.33	0	20	12	20	12	20	12	4	6.9	•	•	-	-	G256A414V <sup>(1)</sup>	-	
1/4	1.6	0.08	1.33	0	20	12	20	12	20	12	4	6.9	•	-	-	-	8256B414V	-	
1/4	1.6	0.08	1.33	0	20	12	20	12	20	12	4	6.9	•	-	-	G256B402V	G256B414V	MS	
1/4	1.6	0.08	1.33	0	20	15	20	15	20	15	5	6.9	•	-	-	G256B466V	-	MS	
1/4	1.6	0.08	1.33	0	20	15	20	15	20	15	5	6.9	•	-	-	-	8256B434V	-	
1/4	1.6	0.08	1.33	0	20	15	20	15	20	15	5	6.9	•	-	-	-	G256B434V	MS	
1/4	2.4	0.16	2.67	0	12	4	12	4	12	4	4	6.9	•	-	-	G256B404V	G256B416V	MS	
1/4	2.4	0.16	2.67	0	15	8	15	8	15	8	5	6.9	•	-	-	G256B470V	G256B436V	MS	

• Available Express

(1) TPL 24071: 256 series with lower rating PV coil 3 watt

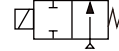




# SOLENOID VALVES

direct operated  
brass or stainless steel bodies  
1/8" - 3/8"

NO



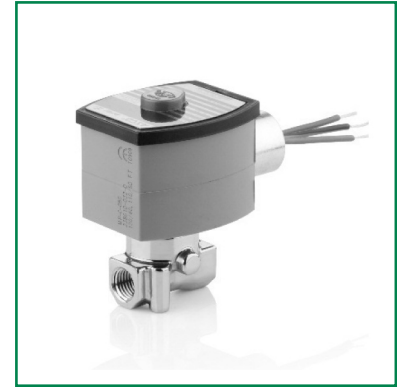
2/2

Series

262

## FEATURES

- Reliable, proven design with high flows
- Small poppet valves for tight shutoff
- Wide range of elastomers for specialty service
- Mountable in any position
- Brass and stainless steel constructions



## STANDARD VOLTAGES

DC (=) : 24V  
AC (-) : SC, EF/VCEF, Redhat II 110V/50Hz-120V/60Hz; 220V/50Hz-240V/60Hz  
NF, WP 115V/50Hz; 120V/60Hz; 230V/50Hz

## SPECIFICATIONS

Pipe Size (in)	Orifice Size (mm)	Kv Flow Factor (m³/h)	Operating Pressure Differential (bar)						Max. Fluid Temp °C		Prefix						No Prefix	Catalog Number	
			Max AC @ 55°C			Max DC @ 55°C			AC	DC	SC	EF/VCEF <sup>(1)</sup>	NF/NFET	JKF/JKH	HT	WP		Brass	Stainless Steel
			Air-Inert Gas	Water	Lt. Oil @300 SSU	Air-Inert Gas	Water	Lt. Oil @300 SSU											
<b>NC - Normally closed</b>																			
1/8	3.2	0.3	11	12	9	5	5	5	90	90	-	-	•	-	-	•	-	❖262C002	-
1/8	3.2	0.3	13	12	8	8	7	6	82	82	•	•	-	-	-	-	•	8262H002	-
1/4	2.4	0.17	25	25	11	10	8	8	90	90	•	-	•	-	•	•	-	❖262C020	-
1/4	3.2	0.3	9	11	6	4	4	4	90	90	•	-	•	-	-	•	-	❖262C022	-
1/4	3.2	0.3	20	20	13	5.0	4.0	4.0	90	90	-	-	•	-	-	•	-	❖262D232	-
1/4	4	0.43	12	13	10	2.5	2.5	3	90	90	-	-	•	-	-	•	-	❖262C202	-
1/4	4	0.45	14	14	10	4	4	4	82	82	•	•	-	•	•	-	•	8262H202	-
1/4	5.6	0.63	7	7	7	2	2	2	82	82	•	•	-	•	•	-	•	8262H208	-
1/4	5.6	0.63	6.5	6.5	6.5	1.7	1.7	1.7	90	90	•	-	•	-	-	•	-	❖262C208	-
1/4	7	0.75	6	6.5	6	1.7	1.3	1.3	90	90	-	-	•	-	-	•	-	❖262B212	-
1/4	2.4	0.15	25	23	11	10	8	8	90	90	-	-	•	-	•	•	-	-	❖262C086
1/4	3.2	0.3	9	11	8	4	4	4	90	90	-	-	•	-	-	•	-	-	❖262C007
1/4	3.2	0.3	13	12	6	8.0	7.0	6.0	82	82	•	•	-	-	-	-	•	-	8262H007
1/4	4	0.43	12	13	10	2.5	2.5	3	90	90	-	-	•	-	-	•	-	-	❖262C220
1/4	4	0.45	14	14	10	-	-	-	82	-	•	•	-	•	•	-	•	-	8262H220
1/4	5.6	0.62	6.5	6.5	6.5	1.7	1.7	1.7	90	90	-	-	•	-	-	•	-	-	❖262C226
1/4	5.6	0.73	2.5	3	2.5	1.2	1.3	1.3	90	90	-	-	•	-	-	•	-	-	❖262C036
<b>NO - Normally open</b>																			
1/4	1.2	0.05	52	52	52	45	39	28	82	82	•	•	-	•	•	-	•	❖262H260	-
1/4	2.4	0.17	20	17	16	13	10	8	40	40	-	-	•	-	-	•	-	-	❖262A134
1/4	2.4	0.18	19	16	12	11	9	7	82	82	•	•	-	•	•	-	•	-	❖262H261
1/4	3.2	0.3	9	7	6.5	5.5	4	4	90	90	-	-	•	-	-	•	-	-	❖262A138
1/4	3.2	0.3	11	10	9	7	7	5	82	82	•	•	-	•	•	-	•	-	❖262H138
1/4	4	0.43	5.5	5	4	3	3	3	90	90	-	-	•	-	-	•	-	-	❖262A263

• Available Express  
(1) Please refer to the page 69 for VCEF installation  
❖ Stands for options of "B or 8" for NPT port thread and "E" for BSP port thread



## FEATURES

- The proportional solenoid valves can handle a variable flow of fuel vapour, proportional to the control signal
- The high quality FPM disc core construction guarantees a long operating life and a wide temperature range
- Explosion proof operator, intended for use in potentially explosive areas, according to Directive ATEX 2014/34/EU
- Easy electrical installation by means of the moulded-in supply cable, standard length of 2 meter
- ASCO Numatics components satisfy all relevant EC directives



## STANDARD VOLTAGES

DC (=) : 24V

## SPECIFICATIONS

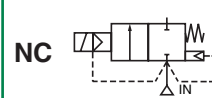
Pipe Size	Orifice Size	Flow Coefficient Kv		Operating Pressure Differential (bar)		Catalog Number
				Min	Max. PS	
G	(mm)	(m <sup>3</sup> /h)	(l/min)	=		
<b>NC - Normally closed</b>						
1/4	5.6	0.73	12.2	0	1	PVG291A210
1/4	5.6	0.73	12.2	0	1	PVXG291A210 TPL24069 <sup>(1)</sup>
3/4	20	3.9	65	0.3	3.5	PVXG291A111 TPL26688 <sup>(2)</sup>

• Available Express

(1) 5 watts coil with 3m cable, PTFE disc & FPM O-ring

(2) The outlet is perpendicular to the inlet





## FEATURES

- The diaphragm pulse valves are especially designed for dust collector service applications, combining high flow, long life and extremely fast opening and closing to produce reliable and economical operation
- The high flow, angle type bodies, springless construction, in combination with the special diaphragm assemblies give the unique operating features required for dust collector service applications
- Integral compression fittings for fast, easy, secure installation
- Built-in silencers reduce noise and prevent foreign particles from entering the valve
- The integral operators are provided with epoxy moulded F-class coils. Various optional waterproof and explosionproof solenoids for use in potentially explosive atmospheres (gas & dust) according to Directive ATEX 2014/34/EU can be mounted on the same basic valve
- The valves satisfy all relevant EC directives



## STANDARD VOLTAGES

DC (=) :	24V
AC (-) : SC, EF/VCEF	110V/50Hz-120V/60Hz; 220V/50Hz-240V/60Hz
NF/WSNF	115V/50Hz; 120V/60Hz; 230V/50Hz

## SPECIFICATIONS

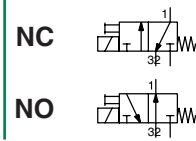
Pipe Size	Orifice Size (mm)	Flow Coefficient Kv (m <sup>3</sup> /h) (l/min)		Operating Pressure Differential (bar)			Prefix				Catalog Number	
				Min.	Max. (PS)		SC	EF/VCEF <sup>(2)</sup>	NF/WSNF	NFET/WSNFET	Aluminium	Stainless Steel
					~	=						
<b>Remote pilot (G - Threaded pipe connection)</b>												
3/4	24	14	233	0.35	8.5	8.5					G353A041	G353A130
1	27	17	283	0.35	8.5	8.5					G353A042	G353A131
1 1/2	52	46	768	0.35	8.5	8.5					G353A046	-
<b>Remote pilot (Ø - Compression fitting pipe connection)</b>												
3/4	24	14	283	0.35	8.5	8.5					G353.055	-
1	27	17	283	0.35	8.5	8.5					G353.056	-
<b>Integral pilot (G - Threaded pipe connection)</b>												
3/4	24	14	233	0.35	8.5	8.5	-	-	•	•	G353A043	G353D132
3/4	24	14	233	0.35	8.5	8.5	•	•	-	-	G353G043	G353G132
1	27	17	283	0.35	8.5	8.5	-	-	•	•	G353A044	G353D133
1	27	17	283	0.35	8.5	8.5	•	•	-	-	G353G044	G353G133
1 1/2	52	44	733	0.35	8.5	8.5	•	•	-	-	G353G047	G353G134
1 1/2	52	44	733	0.35	8.5	8.5	-	-	•	•	G353A047	G353D134
2	66	77	1290	0.35	8.5	8.5	-	-	•	•	G353A050 <sup>(1)</sup>	-
2	66	77	1290	0.35	8.5	8.5	•	•	-	-	G353G050	-
2 1/2	66	92	1540	0.35	8.5	8.5	-	-	•	•	G353A051 <sup>(1)</sup>	-
2 1/2	66	92	1540	0.35	8.5	8.5	•	•	-	-	G353G051	-
3	76	170	2833	1	6	6	•	-	-	-	G353G060	-
3	75	170	2833	1	6	6	-	-	•	•	G353.060	-
<b>Integral pilot (Ø - Compression fitting pipe connection)</b>												
3/4	24	14	233	0.35	8.5	8.5	•	•	-	-	G353G052	-
3/4	24	14	233	0.35	8.5	8.5	-	-	•	•	G353.052	-
1	27	17	283	0.35	8.5	8.5	-	-	•	•	G353.053	-
1	27	17	283	0.35	8.5	8.5	•	•	-	-	G353G053	-
1 1/2	52	44	733	0.35	8.5	8.5	-	-	•	•	G353A065	-
1 1/2	52	44	733	0.35	8.5	8.5	•	•	-	-	G353G065	-
<b>Tank mounted version</b>												
3	75	170	2833	1	6	6	•	•	-	-	R353G060	-
3	76	210	3500	1	6	6	•	•	-	-	R353G230	-
3 1/2	90	280	4667	1	6	6	•	•	-	-	R353G235	-

- Available Express
- (1) TPL 18535 also available
- (2) Please refer to the page 69 for VCEF installation



# SOLENOID VALVES

direct operated  
brass or stainless steel bodies  
1/8" - 1/4"



**2/2**  
Series  
**356**

## FEATURES

- Compact design for the control of single-acting actuators or filling and draining cycles
- Wide range of flow and pressure ratings
- Quick disassembly of core tube for easy maintenance of internal parts
- Standard disc seal made of FPM suitable for a wide range of operating temperatures and compatible with many fluids
- Standard manual operator allows an easy installation
- AC/DC interchangeability of the solenoid without disassembly of the valve
- Compact and low weight valve



## STANDARD VOLTAGES

DC (=) : 24V

AC (-) : 115V/50Hz-120V/60Hz; 230V/50-60Hz

## SPECIFICATIONS

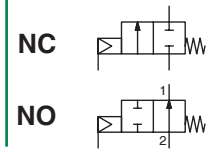
Pipe Size	Orifice Size	Flow Coefficient Kv				Operating Pressure Differential (bar)			Power Coil (W)		Prefix		Catalog Number		Options
		2 → 1		3 → 1		Min.	Max. (PS)		~	=	SC	U	Brass	Stainless Steel	
		(m³/h)	(l/min)	(m³/h)	(l/min)		Air, Water, Oil	~							
G	(mm)	(m³/h)	(l/min)	(m³/h)	(l/min)		~	=	~	=	SC	U	-/=	-/=	
<b>NC - Normally closed</b>															
1/8	1.2	0.05	0.8	0.05	0.8	0	15	15	4	6.9	●	-	8356B001V	-	-
1/8	1.2	0.05	0.8	0.05	0.8	0	15	15	4	6.9	●	-	G356B001V	-	MS
1/8	1.6	0.08	1.33	0.05	0.8	0	10	10	4	6.9	●	-	G356B002V	-	MS
1/8	2	0.1	1.66	0.05	0.8	0	5	5	4	6.9	●	-	G356B003V	-	MS
1/8	1.2	0.05	0.8	0.05	0.8	0	15	15	4	6.9	●	-	-	8356B013V	-
1/8	2	0.1	1.66	0.05	0.8	0	5	5	4	6.9	●	-	-	G356B015V	MS
1/8	2.4	0.13	2.1	0.05	0.8	0	4	4	4	6.9	●	-	G356B004V	-	-
1/8	2.4	0.13	2.1	0.05	0.8	0	4	4	4	6.9	●	●	-	8356B016V	-
1/8	2.4	0.13	2.1	0.05	0.8	0	4	4	4	6.9	●	-	-	G356B016V	MS
1/4	1.6	0.08	1.33	0.05	0.8	0	10	10	5	6.9	●	-	-	8356B434V	-
1/4	1.6	0.08	1.33	0.05	0.8	0	10	10	5	6.9	●	-	G356B466V	G356B434V	MS
1/4	2.4	0.16	2.67	0.05	0.8	0	4	4	5	6.9	●	-	G356B470V	G356B436V	MS
<b>NO - Normally open</b>															
1/8	1.2	0.05	0.8	0.05	0.8	0	8.5	8.5	4	6.9	●	-	8356B005V	-	-
1/8	1.6	0.096	1.6	0.05	0.8	0	8.5	8.5	4	6.9	●	-	G356B006V	-	MS
<b>U - Universal</b>															
1/8	1.2	0.05	0.8	0.05	0.8	0	7	7	4	6.9	●	●	8356B009V	-	-

- Available Express



# ANGLE SEATED VALVES

stainless steel body  
3/8" - 2 1/2"



**2/2**  
Series  
**E290**

## FEATURES

- High flow due to angled seat design
- Anti-waterhammer design (fluid entry under the disc)
- Vacuum operation up to 10-2 mbar
- Wide range of piston-type operators (32 - 50- 63 - 90 -125 mm dia.) rotatable through 360°, for maximum performance at different minimum pilot pressures
- High performance, maintenance-free stuffing box
- The valves satisfy Pressure Equipment Directive 97/23/EC, category 1 (DN > 25) or article 3.3(DN ≤ 25)



## SPECIFICATIONS

Piping (ISO 6708)		Flow Coefficient Kv		Pilot Pressure (bar)		Operating Pressure Differential (bar)				Operator Diameter (mm)	Catalog Number	Suffix
Pipe Size (G°)	DN	(m³/h)	(l/min)	Min.	Max.	Min.	Max.					
								Air, Inert gas, Aggressive Fluids	Water, Oil, Liquids, Aggressive Liquids	Steam (≤184°C)		Stainless steel
<b>NC - Normally closed, entry under the disc<sup>(1)</sup></b>												
3/8	10	2.8	47	4	10	0	16	16	10	32	E290A791	VI
1/2	15	4.1	68	4	10	0	12	12	10	32	E290A792	VI
1/2	15	4.9	82	4	10	0	16	16	10	50	E290A393	VI
1/2	15	4.9	82	2.5	10	0	16	16	10	63	E290B045	-
3/4	20	6.5	108	4	10	0	6	6	6	32	E290A793	VI
3/4	20	9.4	157	4	10	0	10	10	10	50	E290A394	VI
3/4	20	9.4	157	4	10	0	16	16	10	63	E290B048	-
3/4	20	9.4	157	2.5	10	0	12	12	10	63	E290B047	-
1	25	12.8	213	4	10	0	6	6	6	50	E290A395	VI
1	25	16.5	275	4	10	0	10	10	10	63	E290B053	-
1	25	16.5	275	4	10	0	16	16	10	90	E290B054	-
1	25	16.5	275	2.5	10	0	6	6	6	63	E290B051	-
1	25	16.5	275	2.5	10	0	12	12	10	90	E290B052	-
1 1/4	32	27	450	2.5	10	0	3	3	3	63	E290A057	-
1 1/4	32	27	450	2.5	10	0	7	7	7	90	E290A058	-
1 1/4	32	27	450	4	10	0	6	6	6	63	E290A059	-
1 1/4	32	27	450	4	10	0	12	12	10	90	E290A060	-
1 1/2	40	45	750	4	10	0	4	4	4	63	E290A063	-
1 1/2	40	45	750	4	10	0	8	8	8	90	E290A064	-
1 1/2	40	45	750	2.5	10	0	4	4	4	90	E290A062	-
2	50	59	983	4	10	0	2.5	2.5	2.5	63	E290A067	-
2	50	59	983	4	10	0	6	6	6	90	E290A068	-
2 1/2	65	94	1567	4	10	0	2	2	2	90	E290A500	-
<b>NO - Normally open, entry under the disc</b>												
3/8	10	2.8	47	IX (*)	10	0	16	16	10	32	E290A794	VI
1/2	15	4.1	68	IX (*)	10	0	16	16	10	32	E290A795	VI
1/2	15	4.9	82	I (*)	10	0	16	16	10	50	E290A396	VI
1/2	15	4.9	82	II (*)	10	0	16	16	10	63	E290B069	-
3/4	20	6.5	108	IX (*)	10	0	16	16	10	32	E290A796	VI
3/4	20	9.4	157	I (*)	10	0	16	16	10	50	E290A397	VI
3/4	20	9.4	157	II (*)	10	0	16	16	10	63	E290B070	-
1	25	16.5	275	II(*)	10	0	16	16	10	63	E290B071	-
1	25	16.5	275	III(*)	10	0	16	16	10	90	E290B072	-
1 1/4	32	27	450	II (*)	10	0	16	16	10	63	E290A073	-
1 1/4	32	27	450	III (*)	10	0	16	16	10	90	E290A074	-
1 1/2	40	45	750	II (*)	10	0	11	11	10	63	E290A075	-
1 1/2	40	45	750	III (*)	10	0	16	16	10	90	E290A076	-
2	50	59	983	II (*)	10	0	7	7	7	63	E290A077	-
2	50	59	983	III (*)	10	0	13	13	10	90	E290A078	-
2 1/2	65	94	1567	III (*)	10	0	7	7	7	90	E290A504	-

Express delivery



**SPECIFICATIONS**

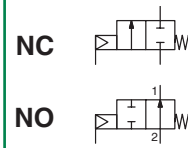
Piping (ISO 6708)		Flow Coefficient Kv		Pilot Pressure (bar)		Operating Pressure Differential (bar)				Operator Diameter (mm)	Catalog Number	Suffix
Pipe Size (G*)	DN	(m <sup>3</sup> /h)	(l/min)	Min.	Max.	Min.	Max.					
								Air, Inert gas, Aggressive Fluids	Water, Oil, Liquids, Aggressive Liquids	Steam (≤184°C)		Stainless steel
<b>NC - Normally closed, entry above the disc (version recommended for rapid-cycling steam applications)</b>												
3/8	10	2.8	47	X (*)	10	0	10	-	10	32	E290A797	VI
1/2	15	4.1	68	X (*)	10	0	10	-	10	32	E290A798	VI
1/2	15	4.9	82	V (*)	10	0	10	-	10	50	E290A399	VI
1/2	15	4.9	82	VI (*)	10	0	10	-	10	63	E290B079	-
3/4	20	6.5	108	X (*)	10	0	10	-	10	32	E290A799	VI
3/4	20	9.4	157	V (*)	10	0	10	-	10	50	E290A400	VI
3/4	20	9.4	157	VI (*)	10	0	10	-	10	63	E290B080	-
1	25	12.8	213	V (*)	10	0	10	-	10	50	E290A401	VI
1	25	16.5	275	VI (*)	10	0	10	-	10	63	E290B081	-
1 1/4	32	27	450	VI (*)	10	0	10	-	10	63	E290A082	-
1 1/4	32	27	450	VII (*)	10	0	10	-	10	90	E290A137	-
1 1/2	40	45	750	VI (*)	10	0	10	-	10	63	E290A083	-
1 1/2	40	45	750	VII (*)	10	0	10	-	10	90	E290A084	-
2	50	59	983	VI (*)	10	0	9	-	9	63	E290A085	-
2	50	59	983	VII (*)	10	0	10	-	10	90	E290A086	-
2 1/2	65	94	1567	VII (*)	10	0	10	-	10	90	E290A625	-

Express delivery



# ANGLE SEATED VALVES

CLAMP or butt welding connection  
stainless steel body  
DN 10 to 65



**2/2**  
Series  
**S290**

## FEATURES

- Valve with clamp type connection to ISO 2852 for quick disconnection, a system commonly used in the food processing industry or with butt welding connection to ISO 6761 for stainless steel pipe to ISO 1127
- CLAMP valve body pickled in nitric/fluoric acid bath (NET-INOX passivation treatment)
- High flow due to angled seat design
- Anti-waterhammer design (fluid entry under the disc)
- Vacuum operation up to 10-2 mbar
- Wide range of piston-type operators (32 - 50- 63 - 90 -125 mm dia.) rotatable through 360°, for maximum performance at different minimum pilot pressures
- High performance, maintenance-free stuffing box
- The valves satisfy Pressure Equipment Directive 97/23/EC, category 1 (DN > 25) or article 3.3 (DN ≤ 25)



## SPECIFICATIONS

DN	O.D. of Stub (clamp)	O.D. of Stub (butt)	Flow Coefficient Kv		Pilot Pressure (bar)		Operating Pressure Differential (bar)				Operator Diameter (mm)	Catalog Number		Suffix
							Min.	Max.				Clamp Connection <sup>(1)</sup>	Butt Welding Connection	
								Air, Inert Gas, Aggressive Fluids	Water, Oil, Liquids, Aggressive Liquids	Steam (≤184°C)				
(mm)	(mm)	(m³/h)	(l/min)	Min.	Max.									
<b>NC - Normally closed, entry under the disc</b>														
10	34	17.2	2.8	47	4	10	0	16	16	10	32	XS290A800	S290A802	VI
15	34	21.3	4.1	68	4	10	0	12	12	10	32	XS290A804	S290A806	VI
15	34	21.3	4.9	82	4	10	0	16	16	10	50	XS290A408	S290A417	VI
15	34	21.3	4.9	82	2.5	10	0	16	16	10	63	XS290B137	S290B205	-
20	50.5	26.9	6.5	108	4	10	0	6	6	6	32	XS290A808	S290A810	VI
20	50.5	26.9	9.4	157	4	10	0	10	10	10	50	XS290A409	S290A418	VI
20	50.5	26.9	9.4	157	4	10	0	16	16	10	63	XS290B140	S290B208	-
20	50.5	26.9	9.4	157	2.5	10	0	12	12	10	63	XS290B139	S290B207	-
25	50.5	33.7	12.8	213	4	10	0	6	6	6	50	XS290A410	S290A419	VI
25	50.5	33.7	16.5	275	4	10	0	10	10	10	63	XS290B145	S290B211	-
25	50.5	33.7	16.5	275	4	10	0	16	16	10	90	XS290B146	S290B212	-
25	50.5	33.7	16.5	275	2.5	10	0	6	6	6	63	XS290B143	S290B210	-
25	50.5	33.7	16.5	275	2.5	10	0	12	12	10	90	XS290B144	-	-
32	64	42.4	27	450	4	10	0	6	6	6	63	XS290A151	S290A215	-
32	64	42.4	27	450	4	10	0	12	12	10	90	-	S290A216	-
32	64	42.4	27	450	2.5	10	0	3	3	3	63	-	S290A214	-
40	64	48.3	45	750	4	10	0	4	4	4	63	XS290A155	S290A217	-
40	64	48.3	45	750	4	10	0	8	8	8	90	XS290A156	S290A218	-
40	64	48.3	45	750	2.5	10	0	4	4	4	90	XS290A154	-	-
50	77.5	60.3	59	983	4	10	0	2.5	2.5	2.5	63	XS290A687	S290A719	-
50	77.5	60.3	59	983	4	10	0	6	6	6	90	XS290A688	S290A720	-
50	77.5	60.3	59	983	2.5	10	0	2.5	2.5	2.5	90	XS290A685	-	-
65	91	76.1	94	1567	4	10	0	2	2	2	90	XS290A691	S290A722	-
<b>NO - Normally open, entry under the disc</b>														
10	34	17.2	2.8	47	IX (*)	10	0	16	16	10	32	XS290A812	S290A814	VI
15	34	21.3	4.1	68	IX (*)	10	0	16	16	10	32	XS290A816	S290A818	VI
15	34	21.3	4.9	82	I (*)	10	0	16	16	10	50	XS290A411	S290A420	VI
15	34	21.3	4.9	82	II (*)	10	0	16	16	10	63	XS290B161	S290B221	VI
20	50.5	26.9	6.5	108	IX (*)	10	0	16	16	10	32	XS290A820	S290A822	VI
20	50.5	26.9	9.4	157	I (*)	10	0	16	16	10	50	XS290A412	S290A421	VI
20	50.5	26.9	9.4	157	II (*)	10	0	16	16	10	63	XS290B162	S290B222	-
25	50.5	33.7	12.8	213	I (*)	10	0	16	16	10	50	XS290A413	S290A422	VI
25	50.5	33.7	16.5	275	II (*)	10	0	16	16	10	63	XS290B163	S290B223	-
32	64	42.4	27	450	II (*)	10	0	16	16	10	63	XS290A164	S290A224	-
40	64	48.3	45	750	II (*)	10	0	11	11	10	63	XS290A165	S290A225	-
50	77.5	60.3	59	983	II (*)	10	0	7	7	7	63	XS290A693	S290A724	-
50	77.5	60.3	59	983	III (*)	10	0	13	13	10	90	XS290A694	S290A725	-
65	91	76.1	94	1567	III (*)	10	0	7	7	7	90	XS290A695	S290A726	-

Express delivery

(1) SS clamp connection without NET-INOX treatment with TPL 24045



**SPECIFICATIONS**

DN	O.D. of Stub (clamp)	O.D. of Stub (butt)	Flow Coefficient Kv		Pilot Pressure (bar)		Operating Pressure Differential (bar)			Operator Diameter	Catalog Number		Suffix	
							Min.	Max.			Clamp Connection <sup>(1)</sup>	Butt Welding Connection		
								Air, Inert Gas, Aggressive Fluids	Water, Oil, Liquids, Aggressive Liquids					Steam (≤184°C)
(mm)	(mm)	(m <sup>3</sup> /h)	(l/min)	Min.	Max.				(mm)					
<b>NC - Normally closed, entry above the disc (version recommended for rapid-cycling steam applications)</b>														
10	34	17.2	2.8	47	X (*)	10	0	10	-	10	32	XS290A824	S290A826	VI
15	34	21.3	4.1	68	X (*)	10	0	10	-	10	32	XS290A828	S290A830	-
15	34	21.3	4.9	82	V (*)	10	0	10	-	10	50	XS290A414	S290A423	-
15	34	21.3	4.9	82	VI (*)	10	0	10	-	10	63	XS290B167	S290B227	-
20	50.5	26.9	6.5	108	X (*)	10	0	10	-	10	32	XS290A832	S290A834	-
20	50.5	26.9	9.4	157	V (*)	10	0	10	-	10	50	XS290A415	S290A424	-
20	50.5	26.9	9.4	157	VI (*)	10	0	10	-	10	63	XS290B168	S290B228	-
25	50.5	33.7	12.8	213	V (*)	10	0	10	-	10	50	XS290A416	S290A425	-
25	50.5	33.7	16.5	275	VI (*)	10	0	10	-	10	63	XS290B169	S290B229	-
32	64	42.4	27	450	VI (*)	10	0	10	-	10	63	XS290A170	S290A230	-
40	64	48.3	45	750	VI (*)	10	0	10	-	10	63	XS290A171	S290A231	-
40	64	48.3	45	750	VII (*)	10	0	10	-	10	90	-	S290A259	-
50	77.5	60.3	59	983	VI (*)	10	0	9	-	9	63	XS290A697	S290A728	-
50	77.5	60.3	59	983	VII (*)	10	0	10	-	10	90	XS290A698	S290A729	-
65	91	76.1	94	1567	VII (*)	10	0	10	-	10	90	XS290A699	S290A730	-

Express delivery

(1) SS clamp connection without NET-INOX treatment with TPL 24045

### FEATURES

- Precise, quick-acting and robust valve suitable for use in outdoor industrial environments
- Exceptional long service life
- Variable flow proportional to the control signal
- Real-time control
- Ready-to-use valve
- The positioner can be directly connected to an external sensor (double loop control)
- Power saving function and no air consumption when position is reached
- Manual valve operator
- LED indicators for valve status display
- External exhausting



### POSITIONER D CONTROLLER SPECIFICATIONS (NC valves, fluid entry under the disc)

Analog Setpoint	Suffix for Proportional Valve and Positioner <sup>(1)</sup> Delivered Assembled			
	Fail Position Maintained <sup>(2)</sup>		Fail Close <sup>(3)</sup>	
	2 Way			
	Cable Gland	M12	Cable Gland	M12
<b>Positioner<sup>D</sup>, Single Loop</b>				
0 - 10 V DC	PDB76	PDB82	PDB78	PDB84
4 - 20 mA	PDB77	PDB83	PDB79	PDB85
<b>Positioner<sup>D</sup>, Double Loop</b>				
0 - 10 V DC	-	-	PDB80	PDB86
4 - 20 mA	-	-	PDB81	PDB87

■ Express delivery

- (1) Place the indicated suffix after the catalog number of the valve selected  
 (2) Fail position of the valve disc maintained on loss of power  
 (3) Fail Close: Valve returns to closed position on loss of power

### VALVE SPECIFICATIONS

#### Threaded E290

Pipe Size		Flow Coefficient Kv		Pilot Pressure (bar)		Operating Pressure Differential (bar)				Operator Diameter	Catalog Number
(G*)	DN	(m <sup>3</sup> /h)	(l/min)	Min.	Max.	Min.	Max.			(mm)	Stainless Steel
							Air, Inert Gas, Aggressive Fluids	Water, Oil, Liquids, Aggressive Liquids	Steam (≤184°C)		
<b>NC - Normally closed, entry under the disc</b>											
1/2	15	4.6	77	2.5	8	0	16	16	10	63	E290B045PD
1/2	15	4.9	82	4	10	0	16	16	10	50	E290A393PD
3/4	20	7.1	118	4.5	8	0	16	16	10	63	E290B048PD
3/4	20	9.4	157	4	10	0	10	10	10	50	E290A394PD
3/4	20	9.4	157	2.5	10	0	12	12	10	63	E290B047PD
1	25	15	250	4.5	8	0	10	10	10	63	E290B053PD
1	25	15	250	4.5	8	0	16	16	10	90	E290B054PD
1 1/4	32	21	350	4.5	8	0	6	6	6	63	E290A059PD
1 1/4	32	21	350	4.5	8	0	12	12	10	90	E290A060PD
1 1/2	40	29	483	4.5	8	0	4	4	4	63	E290A063PD
1 1/2	40	29	483	4.5	8	0	8	8	8	90	E290A064PD
2	50	40	667	4.5	8	0	2.5	2.5	2.5	63	E290A067PD
2	50	40	667	4.5	8	0	6	6	6	90	E290A068PD
2 1/2	65	68	1133	4.5	8	0	2	2	2	90	E290A500PD

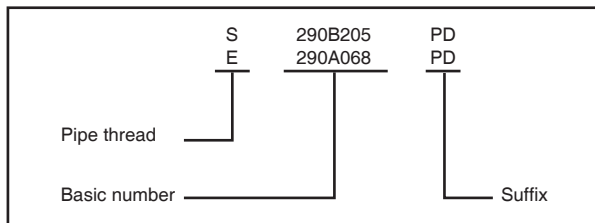
■ Express delivery

**VALVE SPECIFICATIONS**  
**Butt Weld & Tri Clamp S290**

Pipe Size		Flow Coefficient Kv		Pilot Pressure (bar)		Operating Pressure Differential (bar)				Operator Diameter (mm)	Catalog Number	
						Min.	Max.				Stainless Steel Clamp Connection <sup>(4)</sup>	Stainless Steel Butt Weld Connection
(G°)	DN	(m³/h)	(l/min)	Min.	Max.		Air, Inert Gas, Aggressive Fluids	Water, Oil, Liquids, Aggressive Liquids	Steam (≤184°C)			
<b>NC - Normally closed, entry under the disc</b>												
1/2	15	4.6	77	2.5	8	0	16	16	10	63	XS290B137PD	S290B205PD
3/4	20	7.1	118	4.5	8	0	16	16	10	63	XS290B140PD	S290B208PD
1	25	15	250	4.5	8	0	10	10	10	63	XS290B145PD	S290B211PD
1	25	15	250	4.5	8	0	16	16	10	90	XS290B146PD	S290B212PD
1 1/4	32	21	350	4.5	8	0	6	6	6	63	XS290A151PD	S290A215PD
1 1/4	32	21	350	4.5	8	0	12	12	10	90	-	S290A216PD
1 1/2	40	29	483	4.5	8	0	4	4	4	63	XS290A155PD	S290A217PD
1 1/2	40	29	483	4.5	8	0	8	8	8	90	XS290A156PD	S290A218PD
2	50	40	667	4.5	8	0	2.5	2.5	2.5	63	XS290A687PD	S290A719PD
2	50	40	667	4.5	8	0	6	6	6	90	XS290A688PD	S290A720PD
2 1/2	65	68	1133	4.5	8	0	2	2	2	90	XS290A691PD	S290A722PD

Express delivery

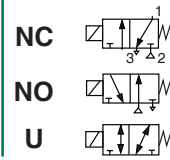
(4) SS clamp connection without NET-INOX treatment with TPL 24045

**ORDERING EXAMPLES**




# SOLENOID VALVES

general service  
brass or stainless steel bodies  
1/4"



**3/2**  
Series  
**320**

## FEATURES

- All NPT connections are in the valve body to allow in-line piping
- No minimum operating pressure differential required
- Broadest range of applications
- Mountable in any position



## STANDARD VOLTAGES

DC (=) : 24V; 125V(HC)  
 AC (-) : VC, EF/VCEF, Redhat II 110V/50Hz-120V/60Hz; 220V/50Hz-240V/60Hz  
 SC, NF, WP 115V/50Hz; 120V/60Hz; 230V/50Hz

## SPECIFICATIONS

Pipe Size (in)	Orifice Size (mm)	Kv Flow Factor (m <sup>3</sup> /h)	Operating Pressure Differential (bar)						Prefix													No Prefix	Catalog Number		Option							
			Max. AC			Max. DC			SC	VC	EF/VCEF <sup>(3)</sup>	EV/VCEV <sup>(3)</sup>	NF/WSNF	NFET/WSNFET	JKF/JKH	HB	HC	HT	WP	Brass	Stainless Steel											
			Air-Inert Gas	Water	Lt. Oil @ 300 SSU	Air-Inert Gas	Water	Lt. Oil @ 300 SSU																								
<b>U - Universal</b>																																
1/4	1.6	0.08	9	9	9	5	5	5	-	-	-	-	•	•	-	-	-	•	•	-	-	-	-	-	-	B320A172 <sup>(4)</sup>	-	MO	MS	E	-	
1/4	1.6	0.08	9	9	9	5	5	5	•	•	•	•	-	-	•	-	•	•	-	•	-	-	-	-	•	8320G172	-	MO	-	-	-	
1/4	2.4	0.1	7	7	7	4	4	4	•	-	-	-	•	-	-	-	•	•	-	•	-	-	-	-	-	B320B174	-	MO	MS	-	MB	
1/4	2.4	0.1	7	7	7	4	4	4	•	•	•	-	-	-	-	• <sup>(1)</sup>	• <sup>(2)</sup>	• <sup>(1)</sup>	-	•	-	-	-	-	-	8320G174	-	MO	-	-	-	
1/4	3.2	0.21	3	3	3	2	2	2	•	-	-	-	•	•	-	-	• <sup>(1)</sup>	• <sup>(2)</sup>	• <sup>(1)</sup>	-	•	-	-	-	-	B320B176	-	MO	-	-	-	
1/4	3.2	0.21	3	3	3	2	2	2	-	-	•	•	-	-	-	-	• <sup>(1)</sup>	• <sup>(2)</sup>	• <sup>(1)</sup>	-	•	-	-	-	-	8320G176	-	MO	-	-	-	
1/4	4.4	0.3	1	1	1	1	1	1	•	-	•	•	-	-	-	-	-	-	•	•	-	-	-	-	-	8320G178	-	-	-	-	-	
1/4	2.4	0.1	7	7	7	4	4	4	•	-	-	-	•	•	-	-	•	-	•	-	•	-	-	-	-	B320A200	MO	MS	V	-		
1/4	2.4	0.1	7	7	7	4	4	4	-	•	•	•	-	-	-	-	• <sup>(1)</sup>	• <sup>(2)</sup>	• <sup>(1)</sup>	-	•	-	-	-	-	8320G200	-	-	-	-	-	
1/4	2.4	0.1	7	7	7	4	4	4	•	-	-	-	-	-	-	-	-	-	•	•	-	-	-	-	-	B320A201	-	-	-	-	-	
1/4	3.2	0.21	3	3	3	2	2	2	-	-	•	•	-	-	-	-	-	-	• <sup>(1)</sup>	• <sup>(2)</sup>	• <sup>(1)</sup>	-	-	-	-	8320G201	-	-	-	-	-	
<b>NC - Normally closed</b>																																
1/4	0.8	0.02	50	50	50	35	35	35	-	-	-	-	-	-	-	-	-	-	-	-	-	-	-	-	-	B320A180	-	-	-	-	-	
1/4	1.6	0.08	14	15	15	11	11	11	•	•	•	•	•	•	•	•	• <sup>(1)</sup>	• <sup>(2)</sup>	• <sup>(1)</sup>	-	•	-	-	-	-	8320G182	-	-	-	-	-	
1/4	2.4	0.1	10	10	10	8	8	8	•	•	•	•	-	-	-	-	•	-	•	-	•	-	-	-	-	8320G184	-	MO	MS	-	-	
1/4	3.2	0.21	6	6	6	4	4	4	•	-	-	-	•	•	-	-	-	-	•	-	•	-	-	-	-	B320A186	-	MO	-	-	-	
1/4	3.2	0.21	6	6	6	4	4	4	•	•	•	•	-	-	-	-	•	-	•	-	•	-	-	-	-	8320G186	-	-	-	-	-	
1/4	4.4	0.3	3	3	3	2	2	2	-	-	•	•	-	-	-	-	-	-	•	-	•	-	-	-	-	8320G188	-	-	-	-	-	
1/4	2.4	0.1	10	10	10	8	8	8	-	-	-	-	•	•	-	-	-	-	•	-	•	-	-	-	-	-	B320A202 <sup>(4)</sup>	MO	MS	-	-	
1/4	2.4	0.1	10	10	10	8	8	8	•	•	•	•	-	-	-	-	•	-	•	-	•	-	-	-	-	8320G202	-	-	-	-	-	
1/4	3.2	0.21	6	6	6	4	4	4	-	-	-	-	•	•	-	-	-	-	•	-	•	-	-	-	-	B320A203	-	-	-	-	-	
1/4	3.2	0.21	6	6	6	4	4	4	-	-	•	•	-	-	-	-	-	-	•	-	•	-	-	-	-	8320G203	-	-	-	-	-	
<b>NO - Normally open</b>																																
1/4	1.6	0.08	16	17	17	11	11	11	-	-	•	•	-	-	-	-	• <sup>(1)</sup>	• <sup>(2)</sup>	• <sup>(1)</sup>	-	•	-	-	-	-	8320G192	-	-	-	-	-	
1/4	2.4	0.1	10	10	10	7	7	7	•	-	-	-	•	•	-	-	-	-	•	-	•	-	-	-	-	B320A194	-	-	MS	-	-	
1/4	2.4	0.1	10	10	10	7	7	7	-	•	•	•	-	-	-	-	•	-	•	-	•	-	-	-	-	8320G194	-	-	-	-	-	
1/4	3.2	0.21	5	5	5	4	4	4	-	-	-	-	•	•	-	-	-	-	•	-	•	-	-	-	-	B320A196	-	MO	-	-	-	
1/4	3.2	0.21	5	5	5	4	4	4	-	-	•	•	-	-	-	-	-	-	•	-	•	-	-	-	-	8320G196	-	-	-	-	-	
1/4	4.4	0.3	3	3	3	2	2	2	-	-	•	•	-	-	-	-	-	-	•	-	•	-	-	-	-	8320G198	-	-	-	-	-	
1/4	2.4	0.1	10	10	10	7	7	7	-	-	-	-	-	-	-	-	-	-	-	-	-	-	-	-	-	-	B320A204	-	-	-	-	-
1/4	3.2	0.21	5	5	5	4	4	4	-	-	-	-	•	•	-	-	-	-	-	-	-	-	-	-	-	-	B320A205	-	-	-	-	-

- Available Express
- (1) DC only
- (2) AC only
- (3) Please refer to the page 69 for VCEF&VCEV installation
- (4) TPL 16137 also available

Asia Pacific Express Catalog-Rev1.0(1/1/2017)



## FEATURES

- Tested in excess of 500 million cycles
- Maximum leakage rate:0.3 SCCM(Bubble Tight)
- All valves 100% factory tested
- Class A insulated coils
- Circuit board mountable
- Built in barbed fittings
- Oxygen Clean available
- Recommended for use with dry air, lubricated air, vacuum, non-corrosive, non-toxic, non-flammable dry gases
- Consult factory for other service application



## STANDARD VOLTAGES

DC (=) : 12V

## SPECIFICATIONS

Series	Power	Body Style	Configuration	Port No. 3 Connection	Electrical Connection	Port No. 1	Port No. 3	Seal Material	Catalog Number
RB	1 Watt	0.125 Barb	3 Way	0.125 Barb (3 Way only)	Hard Wire (12"/26 AWG)	0.75 mm	1.25 mm	Oxygen Cleaned (Viton)	RMB3B6H35O

## FEATURES

- Compact size and easy assembly
- Suitable for mixing or distributing function; suitable for piston valve piloting function
- AC/DC interchangeability of the solenoid without disassembling the valve
- Quick disassembly of core tube for easy maintenance of internal parts



## STANDARD VOLTAGES

DC (=) : 24V

AC (-) : 230V/50Hz

## SPECIFICATIONS

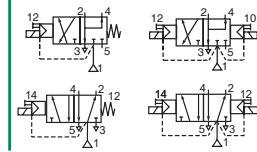
Pipe Size	Orifice Size	Flow Coefficient Kv		Operating Pressure Differential (bar)				Power Coil (w)		Catalog Number	
				Min.	Max. (PS)		AC	DC			
					Air	Oil					
(mm)	(m <sup>3</sup> /h)	(l/min)	AC	DC	AC	DC	AC	DC			
<b>NC - Normally closed</b>											
1/8	1.5	0.06	1	0	8	8	8	8	•	•	HV293734-2-2
1/8	1.5	0.06	1	0	8	8	8	8	•	•	HV293734-2-3
1/8	1.5	0.06	1	0	8	8	8	8	•	•	HV293734-2-4
1/8	1.5	0.06	1	0	8	8	8	8	•	•	HV293734-2-5
1/8	1.5	0.06	1	0	8	8	8	8	•	•	HV293734-2-6
1/8	1.5	0.06	1	0	8	8	8	8	•	•	HV293734-2-7
1/8	1.5	0.06	1	0	8	8	8	8	•	•	HV293734-2-8
1/8	1.5	0.06	1	0	8	8	8	8	•	•	HV293734-2-9
1/8	1.5	0.06	1	0	8	8	8	8	•	•	HV293734-2-10

- Available Express



# SOLENOID VALVES

Spool type  
single/dual solenoid  
aluminium body, 1/4", Namur and Threaded style



**3/2**  
**5/2**  
Series  
**531**

## FEATURES

- The "Namur" style spool valve have threaded port connection and Namur interface, and "Threaded" style spool valve have threaded port connections
- All the exhaust ports of this spool valve are connectable, providing better environmental protection, particularly recommended for sensitive areas such as clean rooms, and applications in the pharmaceutical and food processing sectors
- The valve offers environmental protection against the ingress of liquids, dusts or any other foreign matter (environmentally-protected construction)
- Can be externally piloted (external air pilot supply) to convert valve to zero minimum operation by flipping a gasket
- Stainless steel manual operator as standard



## STANDARD VOLTAGES

DC (=) :	24V
AC (-) : SC, VC, EF/VCEF, EV/VCEV, Redhat II	110V/50Hz-120V/60Hz; 220V/50Hz-240V/60Hz
NF/WSNF	115V/50Hz; 120V/60Hz; 230V/50Hz
WBLP	115V/50Hz; 230V/50Hz

## SPECIFICATIONS

Pipe Size	Orifice Size (mm)	Flow Coefficient Kv (m <sup>3</sup> /h) (l/min)		Operating Pressure Differential (bar)			Prefix										No Prefix	Catalog Number
				Min.	Max. (PS)		SC	VC	WBLP	EF/VCEF <sup>(1)</sup>	JKF/JKH	NF	NFET	JPIS	HT	WP		
					~	=												
<b>NAMUR 3/2 NC - 5/2 - Solenoid air pilot operated - spring return (Single solenoid)</b>																		
1/4	6	0.95	15.5	2	10	10	•	-	•	-	-	-	-	-	-	-	♣531C001MS	
1/4	6	0.95	15.5	2	10	10	-	-	-	-	-	-	-	•	-	•	8531B301MO <sup>(2)</sup>	
1/4	6	0.95	15.5	2	10	10	-	•	-	•	-	-	-	-	-	•	8531G301MO <sup>(2)</sup>	
1/4	6	0.95	15.5	2	10	10	-	•	-	•	-	-	-	-	-	•	G531H301MO <sup>(2)</sup>	
1/4	6	0.95	15.5	2	10	10	-	•	-	•	-	-	-	-	•	•	8531B401MO	
1/4	6	0.95	15.5	2	10	10	-	•	-	•	-	-	-	-	•	•	8531G401MO	
1/4	6	0.95	15.5	2	10	10	-	•	-	•	-	-	-	-	•	•	G531H401MO	
<b>NAMUR 3/2 NC - 5/2 - Solenoid air pilot operated - spring return (Double solenoid)</b>																		
1/4	6	0.95	15.5	2	10	10	•	-	•	-	-	-	-	-	-	-	♣531C002MS	
<b>THREADED 5/2 - Solenoid air pilot operated - spring return (Single solenoid)</b>																		
1/4	6	0.95	15.5	2	10	10	•	-	•	-	-	-	-	-	-	-	♣531C017MS	
1/4	6	0.95	15.5	2	10	10	-	-	-	•	-	-	-	-	-	•	G531H317MO <sup>(2)</sup>	
1/4	6	0.95	15.5	2	10	10	-	-	-	-	•	•	-	•	•	-	8531B417MO	
1/4	6	0.95	15.5	2	10	10	-	•	-	•	•	-	-	•	-	•	G531H417MO	
<b>THREADED 5/2 - Solenoid air pilot operated and return (Double solenoid)</b>																		
1/4	6	0.95	15.5	2	10	10	•	-	•	-	-	-	-	-	-	-	♣531C018MS	
1/4	6	0.95	15.5	2	10	10	-	•	-	•	-	-	-	-	-	•	G531H318MO <sup>(2)</sup>	

- Available Express
- (1) Please refer to the page 69 for VCEF installation
- (2) DC only
- ♣ Stands for options "8" for NPT port thread and "G" for BSP port thread



**FEATURES**

- CNOMO pad-mount version for valve piloting applications
- Compact size and low weight for easy installation on single or joinable subbases
- AC/DC interchangeability of the solenoid operator without any need for disassembly of the valve
- Flexible installation on joinable subbases
- Manual operator as standard
- The solenoid valves satisfy all relevant EC directives



**STANDARD VOLTAGES**

DC (=) : 12V-24V-48V  
 AC (-) : 115V/50-60Hz; 230V/50-60Hz

**SPECIFICATIONS**

Pipe Size	Orifice Size		Flow at 6 bar l/min (ANR)		Flow Coefficient Kv		Operating Pressure Differential (bar)			Power Coil (W)		Catalog Number	
	1→2	2→3	1→2	2→3	1→2	2→3	Min.	Max. (PS)		~	=	with Connector	without Connector
	(mm)	(mm)			(l/min)	(l/min)		Air					
pad mounting	1.2	1.5	50	56	0.7	0.8	0	10	10	2.5	3	X18900001 TPL 24065	X18900002 TPL 24065

NC - Normally closed

## FEATURES

- Size 30 CNOMO pilot adapted for the piloting of actuators or spool valves
- Version with M12 connection, integrated Led and protection
- Manual operator as standard

## STANDARD VOLTAGES

DC (⇒) : 24V



## SPECIFICATIONS

Orifice Size (mm)	Flow				Allowable Differential Pressure (bar)		Catalog Number
	at 6 bar l/min (ANR)		Coefficient Kv		Min.	Max.	
	1→2	2→3	1→2	2→3			with DIN Connector
1.6	70	84	1	1.2	0	10	19000006

# MULTIFUNCTION SPOOL VALVE

solenoid air operated  
ISO 5599/1 subbase-mounted body  
size 1-2-3

**5/2-5/3**  
Series  
**541-543**

## FEATURES

- Reliability: long service life of 30 million cycles
- Choice of internal / external supply with selector seals (vacuum to -0.95 bar)
- Modular assembly with joinable subbases
- High flow to control large actuators
- Flow rate (ISO 1- 1400L/min; ISO 2-2800L/min; ISO 3-4200L/min)



## SPECIFICATIONS

Function	Operator	Size	Pilot Pressure (bar)		Valve Body Catalog Number
			Min.	Max.	
	2/5 Single Pilot(14) Spring return (12)	ISO 1	3	10	54191023
		ISO 2	2.5		54292023
		ISO 3	3		54391023
	2/5 Single Pilot(14) Air return (12)	ISO 1	1.5		54191025
		ISO 2	1.5		54292025
		ISO 3	1.5		54391025
	2/5 Double Double Pilot(14) - (12) Air return (12)	ISO 1	1.5		54191027
		ISO 2	1.5		54292027
		ISO 3	1.5		54391027

Pilot Solenoid Valve	Code	Power	Manual Operator	Air Operator Interface	88100074
189 series	X18900001 TPL 24065	24VDC, 115/50-60 VAC, 230/50-60VAC	Maintained	Blanking Plate	88100073
190 series	19000006	24CDC			

## JOINABLE BASES WITH SIDE PORTS

Size	Description	Part No.
ISO 1	Joinable subbase with side ports	355 00 088
	Set of 2 end plates	355 00 087
ISO 2	Joinable subbase with side ports	355 00 102
	Set of 2 end plates	355 00 101
ISO 3	Joinable subbase with side ports	355 00 173
	Set of 2 end plates	355 00 174

## SINGLE BASES WITH SIDE PORTS

Type	Port Size	Part No.
ISO 1	G 1/4"	35500076
	G 3/8"	35500382
ISO 2	G 3/8"	35500560
	G 1/2"	35500562
ISO 3	G 1/2"	35500171
	G 3/4"	35500192

## FEATURES

• The 450 Series is an aluminum body with stainless steel tie rod air cylinder line that is designed to meet all ISO 15552 requirements. The 450 Series offers an extensive range of accessories allowing easy installation for virtually every application. This durable tie rod cylinder design allows customers to achieve maximum productivity desired with low friction.



## GENERAL

<b>Detection</b>	Equipped for magnetic position detectors
<b>Fluid</b>	Air or inert gas, filtered, lubricated or not
<b>Operating Pressure</b>	10 bar, max. [1 bar = 100 kPa]
<b>Ambient Temperature</b>	-20°C to +70°C
<b>Optimal Max. Speed</b>	≤ 1 m/s
<b>Standards</b>	ISO 15552

## CONSTRUCTION

<b>Barrel</b>	Hard anodized aluminium alloy	
<b>Tie Rods</b>	Stainless steel (Ø32-100), steel (Ø125-200)	
<b>Front and Rear Ends</b>	Aluminium alloy	
<b>Bearing</b>	Self-lubricating metal	
<b>Cushioning Seals</b>	PUR (polyurethane)	
<b>Cushioning</b>	Pneumatic, adjustable from both sides with captive screw	
<b>Rod</b>	Hard chromed steel	
<b>Rod Nut</b>	Galvanised steel	
<b>Piston</b>	Ø 32 to 80 mm	POM (polyacetal)
	Ø 100 to 200 mm	Light alloy
Fitted with an annular reed magnet		
<b>Piston Seals</b>	PUR (polyurethane)	

## HOW TO ORDER

### 15-DIGIT PRODUCT CODE

**G 450 A - S K - - - - A00**

**Thread connection**  
G = ISO 16030

**Product series**  
450

**Revision letter**  
A = Initial release

**Diameter (mm)**  
3 = 32      1 = 100  
4 = 40      P = 125  
5 = 50      Q = 160  
6 = 63      R = 200  
8 = 80

**Options**  
A00 = Without

**Recommended standard strokes (mm) <sup>(1)</sup>**

**Rod options 2**  
K = No option

**Rod options 1**  
S = Chromed single rod  
2 = Through rod

Ø mm	Connect. Ø (G)	25	50	80	100	125	160	200	250	320	400	500	630	700	800	900	1000	1500	Max. Stroke	
32	G1/8	•	•	•	•	•	•	•	•	•	•	•	•	•	•	•	•	•	•	2000
40	G1/4	•	•	•	•	•	•	•	•	•	•	•	•	•	•	•	•	•	•	2000
50	G1/4	•	•	•	•	•	•	•	•	•	•	•	•	•	•	•	•	•	•	2000
63	G3/8	•	•	•	•	•	•	•	•	•	•	•	•	•	•	•	•	•	•	2000
80	G3/8	•	•	•	•	•	•	•	•	•	•	•	•	•	•	•	•	•	•	2000
100	G1/2	•	•	•	•	•	•	•	•	•	•	•	•	•	•	•	•	•	•	2000
125	G1/2	•	•	•	•	•	•	•	•	•	•	•	•	•	•	•	•	•	•	2000
160	G3/4	•	•	•	•	•	•	•	•	•	•	•	•	•	•	•	•	•	•	2000
200	G3/4	•	•	•	•	•	•	•	•	•	•	•	•	•	•	•	•	•	•	2000

■ Strokes range available up to "max. stroke" column on the right.  
Please note strokes marked in grey exceed the maximum recommended.  
(1) Other strokes on request. / Min. stroke: 5 mm

## FEATURES

- The 453 Series is an aluminum body air cylinder that is designed to meet all ISO 15552 requirements. The 453 Series is a lighter and modern-looking cylinder with a sturdy tie rod design inside for optimal technical performance.



## GENERAL

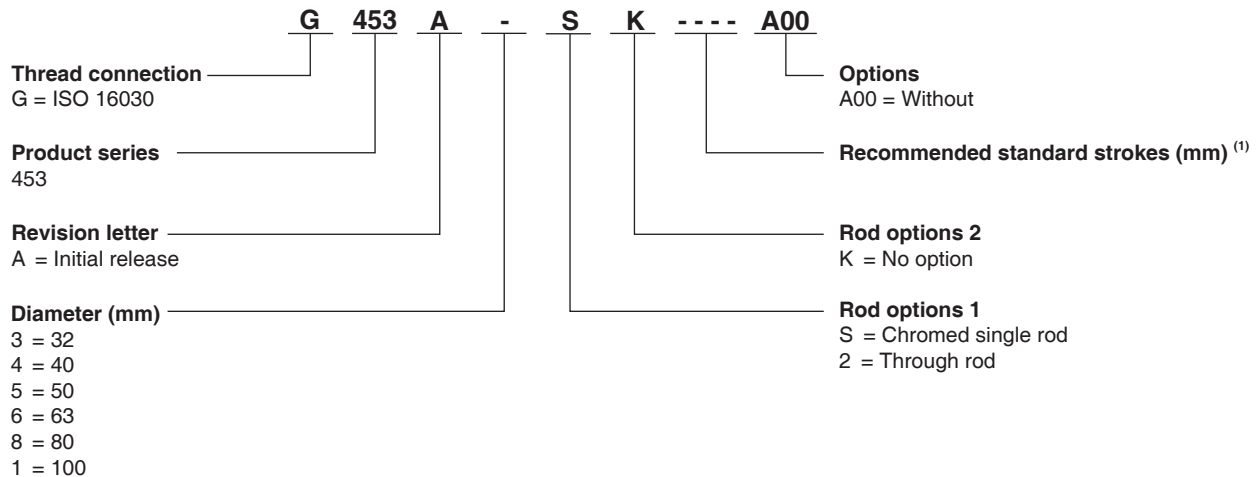
<b>Detection</b>	Equipped for magnetic position detectors
<b>Fluid</b>	Air or inert gas, filtered, lubricated or not
<b>Operating Pressure</b>	10 bar, max. [1 bar = 100 kPa]
<b>Ambient Temperature</b>	-20°C to +70°C
<b>Optimal Max. Speed</b>	≤ 1 m/s
<b>Standards</b>	ISO 15552

## CONSTRUCTION

<b>Barrel</b>	Hard anodized aluminium alloy	
<b>Front and Rear Ends</b>	Aluminium alloy	
<b>Bearing</b>	Self-lubricating metal	
<b>Cushioning Seals</b>	PUR (polyurethane)	
<b>Cushioning</b>	Pneumatic, adjustable from both sides with captive screw	
<b>Rod</b>	Hard chromed steel	
<b>Rod Nut</b>	Galvanised steel	
<b>Piston</b>	Ø 32 to 80 mm	POM (polyacetal)
	Ø 100	Light alloy
	Fitted with an annular permanent magnet	
<b>Piston Seals</b>	PUR (polyurethane)	

## HOW TO ORDER

### 15-DIGIT PRODUCT CODE



Ø mm	Connect. Ø (G)	25	50	80	100	125	160	200	250	320	400	500	630	700	800	900	1000	1500	Max. Stroke	
32	G1/8	•	•	•	•	•	•	•	•	•	•	•	•	•	•	•	•	•	•	2000
40	G1/4	•	•	•	•	•	•	•	•	•	•	•	•	•	•	•	•	•	•	2000
50	G1/4	•	•	•	•	•	•	•	•	•	•	•	•	•	•	•	•	•	•	2000
63	G3/8	•	•	•	•	•	•	•	•	•	•	•	•	•	•	•	•	•	•	2000
80	G3/8	•	•	•	•	•	•	•	•	•	•	•	•	•	•	•	•	•	•	2000
100	G1/2	•	•	•	•	•	•	•	•	•	•	•	•	•	•	•	•	•	•	2000

■ Strokes range available up to "max. stroke" column on the right.  
Please note strokes marked in grey exceed the maximum recommended.  
(1) Other strokes on request. / Min. stroke: 5 mm

## FEATURES

- Solenoid air pilot actuated
- Low wattage .8 wall for DC application
- DC solenoids polarity insensitive with surge suppression
- Plug together circuit boards eliminate internal wiring
- Integral recessed gaskets
- In fittings to accommodate various tube sizes
- Simple conversion from internal to external pilot
- IP65 Certified
- Shut off block for individual valve to be isolated from pressure supply during operation and repair
- G3/580 Fieldbus capability



## STANDARD VOLTAGES

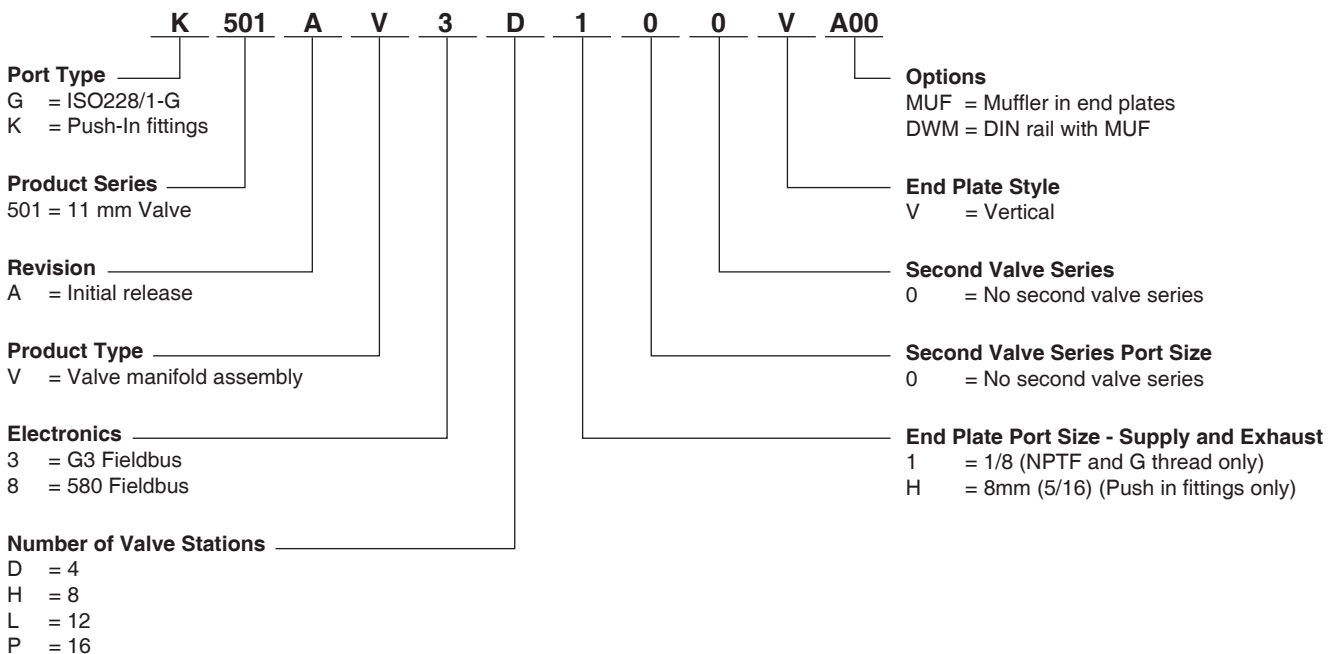
DC (=) : 24V

## SPECIFICATIONS

Port Type	Product Series	Product Type	Mounting	Port Size	Wiring Option	Options	Interface	Catalog Number
Metric Thread	501	Manifold Sub Base	Manifold Sub Base, 4 Stations, Side Ports, Double Z-Board	M7 (Threaded only)	Plug-In, Receptacle Assembly	Standard	Proprietary	H501AMM4BMA0010
Push-In Fittings	501	Manifold Sub Base	Manifold Sub Base, 4 Stations, Side Ports, Double Z-Board	6 mm (Push-In Fittings only)	Plug-In, Receptacle Assembly	Standard	Proprietary	K501AMM4FMA0010
No Port Size	501	Sandwich function	Proprietary Sandwich Shut Off Kit	No Port Size	Plug-In	Standard	Proprietary	R501AY428501001

Product Series	Actuation	Valve Type	Function	Port Size	Electrical	Options	Catalog Number
501	n/a	Blank Station Plate	Blank Station Plate Kit	No Port Size	Plug-in	Standard	P501AB429685001
501	Rubber Packed	Solenoid Pilot with Flush Non-Locking Override	2 Position 4-Way (5/2), Spring Return	No Port Size	Plug-in, w/ Light, VDC	Flush Locking Manual Override	R501A2B10M11BF1
501	Rubber Packed	Solenoid Pilot with Flush Non-Locking Override	2 Position 4-Way (5/2), Dual Solenoid	No Port Size	Plug-in, w/ Light, VDC	Flush Locking Manual Override	R501A2B40M11BF1
501	Rubber Packed	Solenoid Pilot with Flush Non-Locking Override	Dual 3-way, A normally closed - B normally closed	No Port Size	Plug-in, w/ Light, VDC	Flush Locking Manual Override	R501A2BD0M11BF1

## MANIFOLD ASSEMBLY HOW TO ORDER



Note: Manifold assembly maximum 3 pcs order quantity for express delivery, if more than 3 pcs please contact factory for lead time confirmation.

# SOLENOID VALVES

air pilot actuated / spool & sleeve and rubber  
G1/4 & 8mm push-in fitting with 26mm wide  
G3/580 fieldbus capability

**5/2-5/3**  
Series  
**503**

## FEATURES

- Solenoid air pilot actuated
- Low wattage - 1.7 watt for DC application
- DC solenoids polarity insensitive with surge suppression
- Plug together circuit boards eliminate internal wiring
- Integral recessed gaskets
- In fittings to accommodate various tube sizes
- Simple conversion from internal to external pilot
- IP65 Certified
- Shut off block for individual valve to be isolated from pressure supply during operation and repair
- G3/580 fieldbus capability



## STANDARD VOLTAGES

DC (=) : 24V

## SPECIFICATIONS

Port Type	Product Series	Product Type	Mounting	Port Size	Wiring Option	Options	Interface	Catalog Number
ISO228/1-G	503	Manifold Base	Manifold Base, 2 Stations, Side Ports, Double Z-Board	1/4	Plug-in, Receptacle Assembly	Standard	Proprietary	G503AMM22MA0010
Push-in Fittings	503	Manifold Base	Manifold Base, 2 Stations, Side Ports, Double Z-Board	8 mm	Plug-in, Receptacle Assembly	Standard	Proprietary	K503AMM2HMA0010

Product Series	Actuation	Valve Type	Function	Port Size	Electrical	Options	Catalog Number
503	n/a	Blank Station Plate	Blank Station Plate Kit	No Port Size	Plug-in	Standard	P503AB428359001
503	Spool and Sleeve	Solenoid Pilot with Flush Non-Locking Override	2 Position 4-Way (5/2), Spring Return	No Port Size	Plug-in, w/ Light, VDC	Flush Locking Manual Override	R503A1B10M11BF1
503	Spool and Sleeve	Solenoid Pilot with Flush Non-Locking Override	2 Position 4-Way (5/2), Dual Solenoid	No Port Size	Plug-in, w/ Light, VDC	Flush Locking Manual Override	R503A1B40M11BF1
503	Rubber Packed	Solenoid Pilot with Flush Non-Locking Override	2 Position 4-Way (5/2), Spring Return	No Port Size	Plug-in, w/ Light, VDC	Flush Locking Manual Override	R503A2B10M11BF1
503	Rubber Packed	Solenoid Pilot with Flush Non-Locking Override	2 Position 4-Way (5/2), Dual Solenoid	No Port Size	Plug-in, w/ Light, VDC	Flush Locking Manual Override	R503A2B40M11BF1
503	Rubber Packed	Solenoid Pilot with Flush Non-Locking Override	3 Position 4-Way (5/3), Blocked Center	No Port Size	Plug-in, w/ Light, VDC	Flush Locking Manual Override	R503A2B60M11BF1
503	n/a	Sandwich function	Proprietary Sandwich Shut Off Kit	No Port Size	Plug-in	Standard	R503AY426707002

## MANIFOLD ASSEMBLY HOW TO ORDER

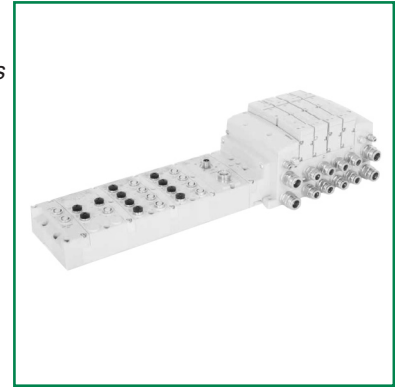
**G 503 A V 3 B 3 0 0 V A00**

<p><b>Port Type</b></p> <p>G = ISO228/1-G K = Push-In fittings</p> <p><b>Product Series</b></p> <p>503 = 26 mm valve</p> <p><b>Revision</b></p> <p>A = Initial release</p> <p><b>Product Type</b></p> <p>V = Valve manifold assembly</p> <p><b>Electronics</b></p> <p>3 = G3 Fieldbus electronics 8 = 580 Fieldbus</p>	<p><b>Options</b></p> <p>MUF = Muffler in end plates DWM = DIN rail with MUF</p> <p><b>End Plate Style</b></p> <p>V = Vertical</p> <p><b>End Plate Port Size</b></p> <p>3 = 3/8 K = 10 mm</p> <p><b>Number of Valve Stations</b></p> <table style="width: 100%; border: none;"> <tr> <td>B = 2</td> <td>J = 10</td> </tr> <tr> <td>D = 4</td> <td>L = 12</td> </tr> <tr> <td>F = 6</td> <td>N = 14</td> </tr> <tr> <td>H = 8</td> <td>P = 16</td> </tr> </table>	B = 2	J = 10	D = 4	L = 12	F = 6	N = 14	H = 8	P = 16
B = 2	J = 10								
D = 4	L = 12								
F = 6	N = 14								
H = 8	P = 16								

Note: Manifold assembly maximum 3 pcs order quantity for express delivery, if more than 3 pcs please contact factory for lead time confirmation.

## FEATURES

- Innovative graphic display is used for easy commissioning, visual status & diagnostics  
No internal wiring simplifies assembly
- SPEEDCON M12 connector technology allows for fast and efficient ½ turn I/O connector attachment
- Power connector allows output power to be removed while inputs and communication are left active
- IP65 protection
- Up to 1200 Input/1200 Output capability with one communication node!  
(Present physical I/O combinations allows 1200 I/544 O)
- 32 valve solenoids per manifold, up to 17 manifolds/branch per communication node!
- One node supports 16 I/O modules – Analog I/O, Digital I/O (NPN & PNP) and specialty
- Innovative clip design allows easy module removal/replacement without dismantling manifold
- Auto Recovery Module (ARM) protects configuration information during a critical failure. Allows configuration information to be saved and reloaded to replacement module automatically
- CE Mark



## STANDARD VOLTAGES

DC (=) : 24V

## SPECIFICATIONS

Product Series	Product Type	Protocol	Connector Type	Description	Catalog Number
G3	Electronics	PROFIBUS DP	5 pin M12 type (1 male and 1 female)	Replacement Code	240-239
G3	Electronics	PROFINET	Two D-coded 4 pin M12 type (female)	Replacement Code	240-240
G3	Electronics	SUB-BUS	5 pin M12 type (male)	Replacement Code	240-241
G3	Electronics	POWERLINK	Two D-coded 4 pin M12 type (female)	Replacement Code	240-309
G3	Connector	POWERLINK SUB-BUS	M12 4 Pin, Male, 90°	Power Port, PG9	MD04F20000000000
G3	Connector	PROFINET PROFIBUS DP	M12 5 Pin, Male ,90°	Power Port, PG9	MD05F20000000000
G3	Connector	POWERLINK PROFINET	M12 Straight 4 Pin Male	Communication Port, PG 9, Screw Terminal	QA04F20000000000
G3	Connector	PROFIBUS DP	M12 Straight 5 Pin, Male	Communication Port, Bus Out, PG7	RA05F200P0000000
G3	Terminating Resistor	PROFIBUS DP	M12 Straight 5 Pin, Male	Communication Port	RA05TR0000000000
G3	Connector	PROFIBUS DP	M12 Straight 5 Pin, Female	Communication Port, Bus In, PG7	RC05F200P0000000
G3	Connector	SUB-BUS	M12 90° 5 Pin, Male	Communication Port, Bus Out, PG9	TB05F2000000071V
G3	Connector	SUB-BUS	M12 90° 5 Pin, Female	Communication Port, Bus In, PG9	TD05F2000000071V

Product Series	Product Type	Signal type	Connector Type	Remark	Catalog Number
G3	I/O Moduel	16 PNP Digital Inputs	Terminal Strip	Assembly/Replacement Code	240-203
G3	I/O Moduel	16 NPN Digital Inputs	Terminal Strip	Assembly/rReplacement Code	240-204
G3	I/O Moduel	16 PNP Digital Inputs	5-pin M12 * 8 port	Assembly/Replacement Code	240-205
G3	I/O Moduel	16 NPN Digital Inputs	5-pin M12 * 8 port	Assembly/Replacement Code	240-209

## MANIFOLD ASSEMBLY HOW TO ORDER

**G3 EP1 00 R 0 STD**

### Electronics Protocols

PL1 = Ethernet POWERLINK®  
PT1 = PROFIBUS-DP  
PN1 = PROFINET  
DS2 = Sub-Bus valve manifold

### Number of I/O Modules

00 = 0      09 = 9  
01 = 1      10 = 10  
02 = 2      11 = 11  
03 = 3      12 = 12  
04 = 4      13 = 13  
05 = 5      14 = 14  
06 = 6      15 = 15  
07 = 7      16 = 16  
08 = 8

### Special Options

STD = Standard  
DRM = DIN rail mounting

### Modification

0 = Initial release

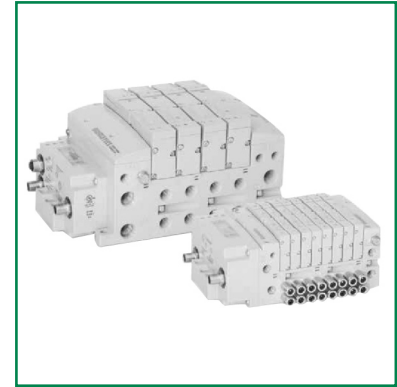
### Left Mounting

D = w/ Sub-Bus out  
R = w/ Terminating resistor

Note: Manifold assembly maximum 3 pcs order quantity for express delivery, if more than 3 pcs please contact factory for lead time confirmation.

**FEATURES**

- Innovative graphic display is used for easy commissioning, visual status & diagnostics no internal wiring simplifies assembly
- No internal wiring simplifies assembly
- Power connector allows output power to be removed while inputs and communication are left active
- IP65 protection
- 32 valve solenoids per manifold
- CE mark



**STANDARD VOLTAGES**

DC (=) : 24V

**SPECIFICATIONS**

Product Series	Product Type	Protocol	Connector Type	Description	Catalog Number
580	Electronics	PROFIBUS DP	5 pin M12 (1 male and 1 female)	No Options	P580AEPT1010A00
580	Electronics	PROFIBUS DP	5 pin M12 (1 male and 1 female)	DIN Rail Mount	P580AEPT1010DRM
580	Electronics	PROFINET	Two D-coded 4 pin M12 (female)	No Options	P580AEPN1010A00
580	Electronics	PROFINET	Two D-coded 4 pin M12 (female)	DIN Rail Mount	P580AEPN1010DRM
580	Connector	PROFINET	M12 Straight 4 Pin, Male	Communication Port, PG7	QA04F200R000071N
580	Terminating Resistor	PROFIBUS DP	M12 Straight 5 Pin, Male	Communication Port	RA05TR0000000000
580	Connector	PROFIBUS DP	M12 Straight 5 Pin, Male	Communication Port, Bus Out, PG7	RA05F200P00000000
580	Connector	PROFIBUS DP	M12 Straight 5 Pin, Female	Communication Port, Bus In, PG7	RC05F200P00000000
580	Connector	PROFINET PROFIBUS DP	M12 Straight 5 Pin, Male ,90°	Power Port, PG9	TD05F20000000000

## FEATURES

- Compact designed valves to standard ISO 5599/1
- Solenoid pilot and air pilot actuated
- Solenoid operator with standard epoxy encapsulated coil
- 5-ported, 2 and 3 position
- Lapped spool and sleeve assembly
- Housing made from aluminium alloy
- Lubricated or unlubricated operation
- AC or DC voltage
- Electrical: IP65 w/plug-in connector
- With locking manual overrides



## HOW TO ORDER

**C12 BA 4 00 4 0 11B 61**

**Valve Series & Port Size**  
 C12\* = ISO1 1/4"(Joinable base)  
 C13 = ISO1 3/8"(Single base)  
 C23\* = ISO2 3/8"(Single base)  
 C24 = ISO2 1/2"(Joinable base)

**Valve Type**  
 BA = Single solenoid pilot, spring return  
 BB = Double solenoid pilot

**Function**  
 4 = 2 Position, 4-Way  
 5 = 3 Position, 4-Way open center  
 6 = 3 Position, 4-Way closed center  
 7 = 3 Position, 4 Way-(5/3), open to 4 ( A )  
 and 2 ( B ) in center

**Mounting**  
 00 = Valve only  
 41 = Valve with side ported single base

**Voltage**  
 30 = 110/50-60 VAC  
 40 = 230/50-60 VAC  
 61 = 24 VDC

**Options**  
 11B\*\* = Standard  
 (With locking manual override on solenoid operator)

**Port Type**  
 0 = Valve only  
 G = G Thread

**Voltage Option**  
 2 = AC  
 4 = DC

NOTE: Order plug-in connector assembly separately (see ordering information below)  
 \* Code use when supply valve unit only \*\*BA & BB only

## SOLENOID PILOT ASSEMBLIES\* X18990001 TPL 24065



## REPLACEMENT COILS\*

Voltage	Order Code
24 VDC	43004869
115/50-60 VAC	43004884
230/50-60 VAC	43004886

Plug Connector Description	Part No.
Standard Connector	88122404

## JOINABLE BASES WITH SIDE PORTS

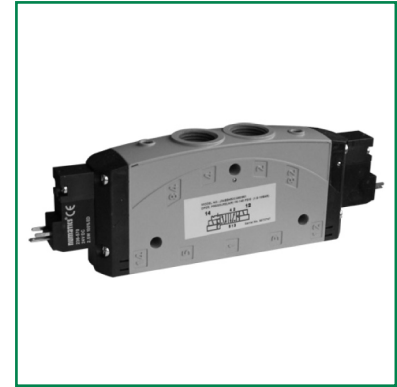
Size	Description	Part No.
ISO 1	Joinable subbase with side ports	355 00 088
	Set of 2 end plates	355 00 087
ISO 2	Joinable subbase with side ports	355 00 102
	Set of 2 end plates	355 00 101

## SINGLE BASES WITH SIDE PORTS

Type	Port Size	Part No.
ISO 1	G 1/4	35500076
	G 3/8	35500382
ISO 2	G 3/8	35500560
	G 1/2	35500562

**FEATURES**

- Solenoid-pilot actuated valves
- DIN plug-in solenoid and plug connector with or without indicator light available
- Housing made from aluminium alloy
- Lubricated or unlubricated operation
- In-line (pressure ports in valve body)



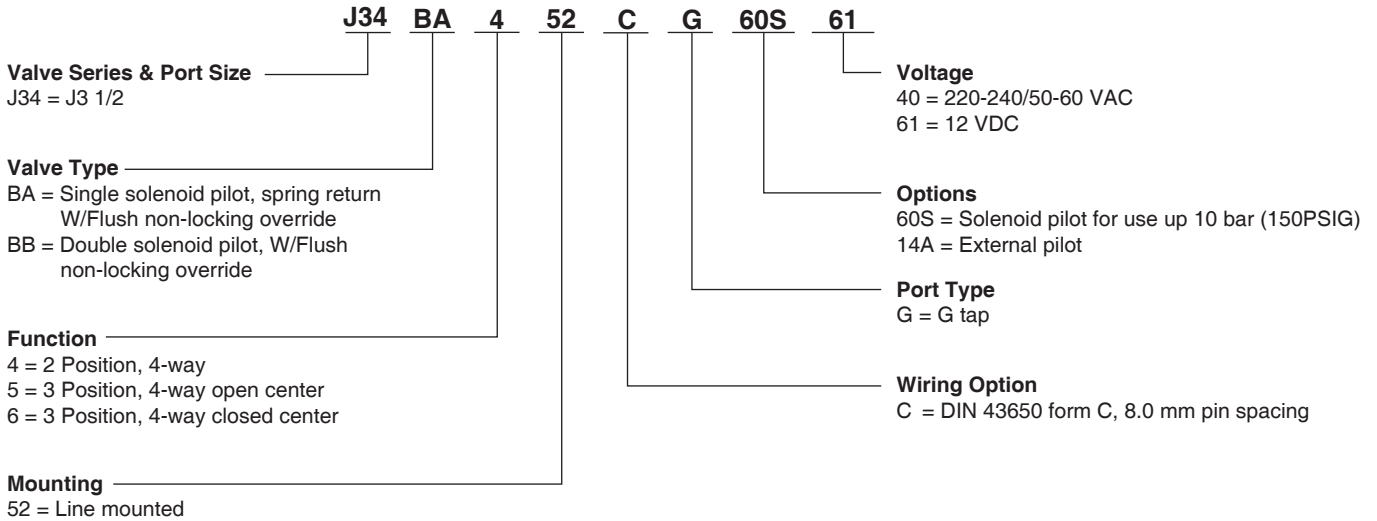
**STANDARD VOLTAGES**

DC (=) : 24V  
 AC (-) : 220V-240V/50-60Hz

**TECHNICAL DATA**

Valve Data	English	Metric
Cv	2.5	2.5
Flow Capacity	115 SCFM @ 80 PSIG upstream pressure to atmosphere	2362 NI/m @ 6 bar upstream/ 5 bar downstream
Pressure Range	60S Option: Vacuum to 150 PSIG	Vacuum to 10 bar
	000 Option: Vacuum to 116 PSIG	Vacuum to 8 bar
Pilot Pressure	26 to 145 PSIG	1.8 to 10 bar
Temperature Range	-10°F to 115°F	-23°C to 46°C

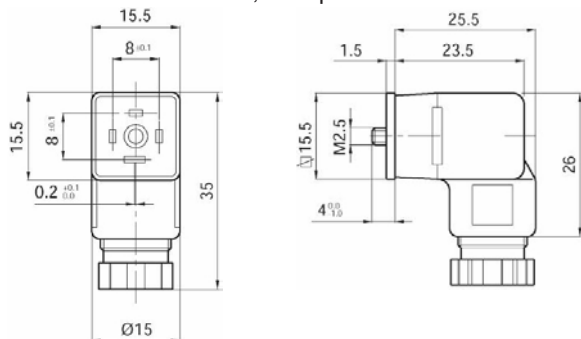
**HOW TO ORDER**



Note: Plug connector is NOT included with DIN solenoid. Order plug-in connector assembly separately (see ordering information below)

**PLUG-IN CONNECTOR ASSEMBLIES**

Per DIN 43650 Form C, Accepts cable diameter 4 to 6 mm.\*



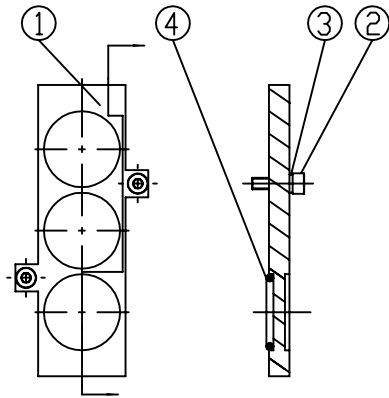
Plug Connector Description**	Part No.
Black Plug Assembly w/o Light	230-1140

\* To be sold separately  
 \*\* Connectors includes screw and gasket

**MANIFOLD ASSEMBLY**

# STATIONS	Part No.
2 Stations	106-1443
3 Stations	106-1444
4 Stations	106-1445
5 Stations	106-1446
6 Stations	106-1447
7 Stations	106-1448
8 Stations	106-1449
9 Stations	106-1450
10 Stations	106-1451
11 Stations	106-1452
12 Stations	106-1453

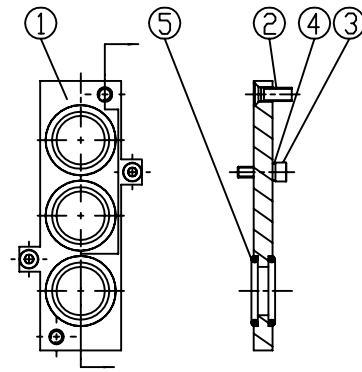
**BLANK STATION PLATE KIT: 245-127**



Det. No.	No. Req'd	Part Name
1	1	Blank Station Plate
2	2	Screw
3	2	Washer Spring
4	3	O-ring

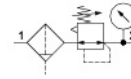
\* To be sold separately

**ADAPTOR KIT: 244-132**



Det. No.	No. Req'd	Part Name
1	1	Blank Station Plate
2	2	Screw
3	2	Washer Spring
4	3	O-ring

\* To be sold separately

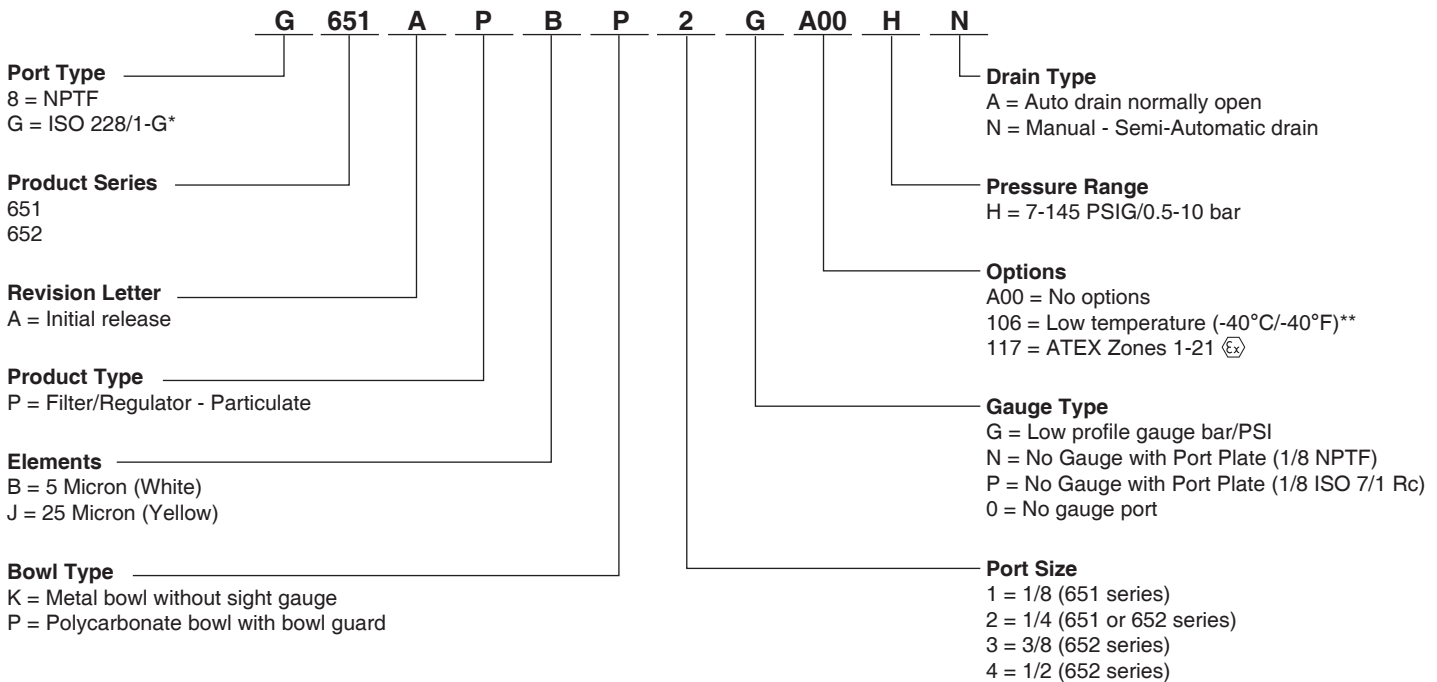


## FEATURES

- High flow with a wide range of adjustable output pressure ranges
- Optional low profile gauge, round gauge, digital gauge or digital pressure switch
- Optional extended temperature range of -40°F to 176°F (-40°C to 80°C)
- Sintered polyethylene elements, with centrifugal separator, include 5 and 25 microns
- Threaded ports allow for individual or modular mounting
- Innovative two position plastic drain with manual and semi-automatic functions. Additional drains include an automatic style (brass)
- Polycarbonate and aluminum bowls with a selection of sight gauge materials that meet industry and application requirements
- Key lockable and tamper resistant models
- Air purity class according to ISO 8573-1: 2010



## HOW TO ORDER



\* Conforms to ISO standards 1179-1

\*\* Compressed air must be dry enough so no ice formation is present on the product.  
All bowls should be emptied prior to ambient temperatures dropping below 32°F (0°C)

**FEATURES**

- Solenoid pilot
- DIN plug-in solenoid indicator light
- Unlubricated or lubricated service
- In-line or manifold mounted



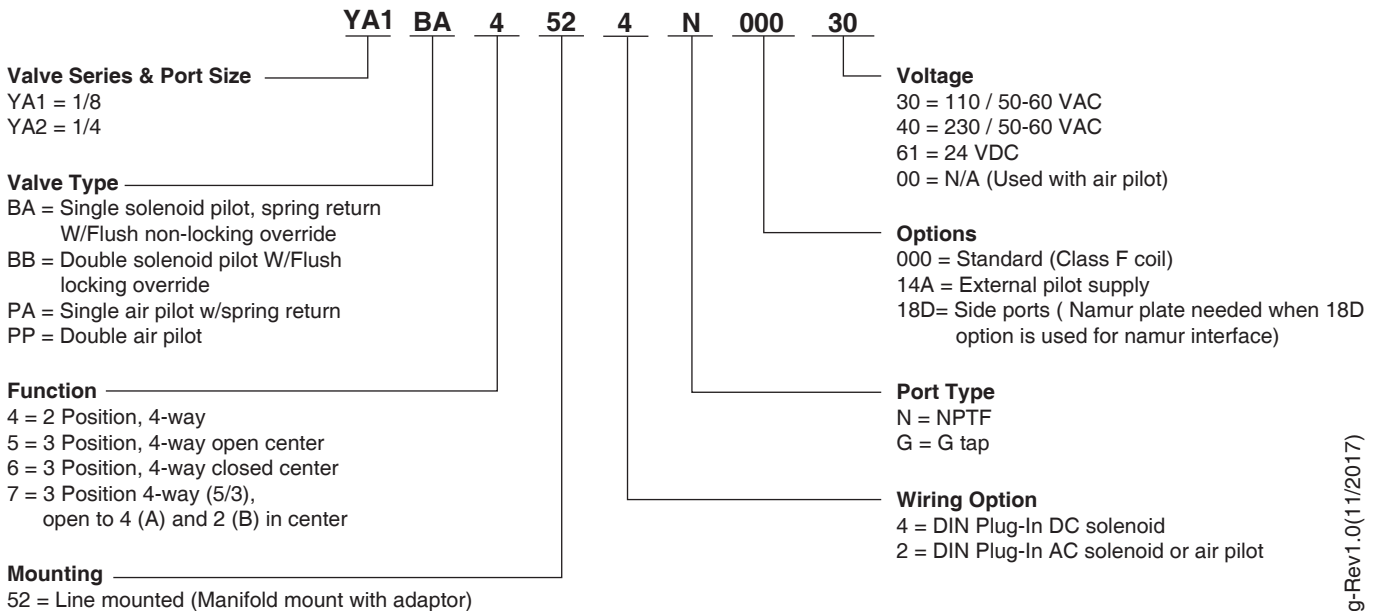
**STANDARD VOLTAGES**

DC (=) : 24V  
 AC (-) : 110V-230V/50-60Hz

**TECHNICAL DATA (YA)**

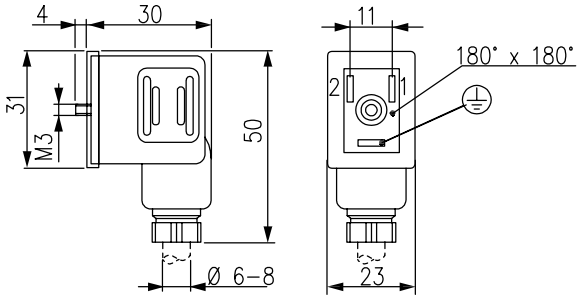
Valve Data	English		Metric	
Cv	1/8 = 1.0	1/4 = 1.0	1/8 = 1.0	1/4 = 1.0
Flow Capacity	46 SCFM upstream pressure to atmosphere @ 80 PSIG		985 NI/m @ 6 bar upstream/5 bar downstream	
Main Valve Operating Pressure Range	28" HG. Vacuum to 150 PSIG		Vacuum to 10 bar	
Pilot Pressure Range: Internal and External	14.5 to 150 PSIG		1 to 10 bar	
Temperature Range: Solenoid Pilot (ambient)	-10°F to +115°F		-23°C to +46°C	

**HOW TO ORDER**



Note: Plug connector is included with DIN solenoid

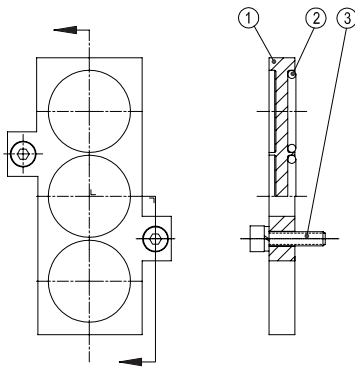
**PLUG CONNECTOR ASSEMBLIES**



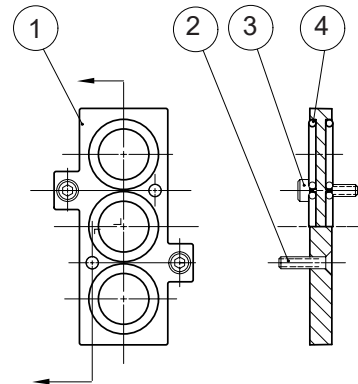
Plug Connector Description	Part No.
Black Plug Assembly	88122404

# Of Stations	Manifold Kit No		# Of Stations	Manifold Kit No	
	G 1/4			G 1/4	
2 Stations	106-1096		8 Stations	106-1102	
3 Stations	106-1097		9 Stations	106-1103	
4 Stations	106-1098		10 Stations	106-1104	
5 Stations	106-1099		11 Stations	106-1105	
6 Stations	106-1100		12 Stations	106-1106	
7 Stations	106-1101		Adaptor Kit	Order (1) adaptor kit for each station on the manifold Includes all seals and screw	

**BLANK STATION PLATE KIT 239-288-SJ\***



**ADAPTOR KIT 239-311\***



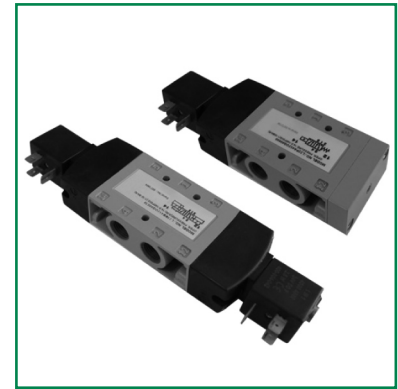
**SOLENOID ASSEMBLIES\***

STANDARD VOLTAGES	110/50-60 VAC	230/50-60 VAC	24 VDC
Part No.	43005069	43004886	43004869

\* To be sold separately

**FEATURES**

- Solenoid pilot
- DIN plug-in solenoid indicator light
- Unlubricated or lubricated service
- In-line or manifold mounted



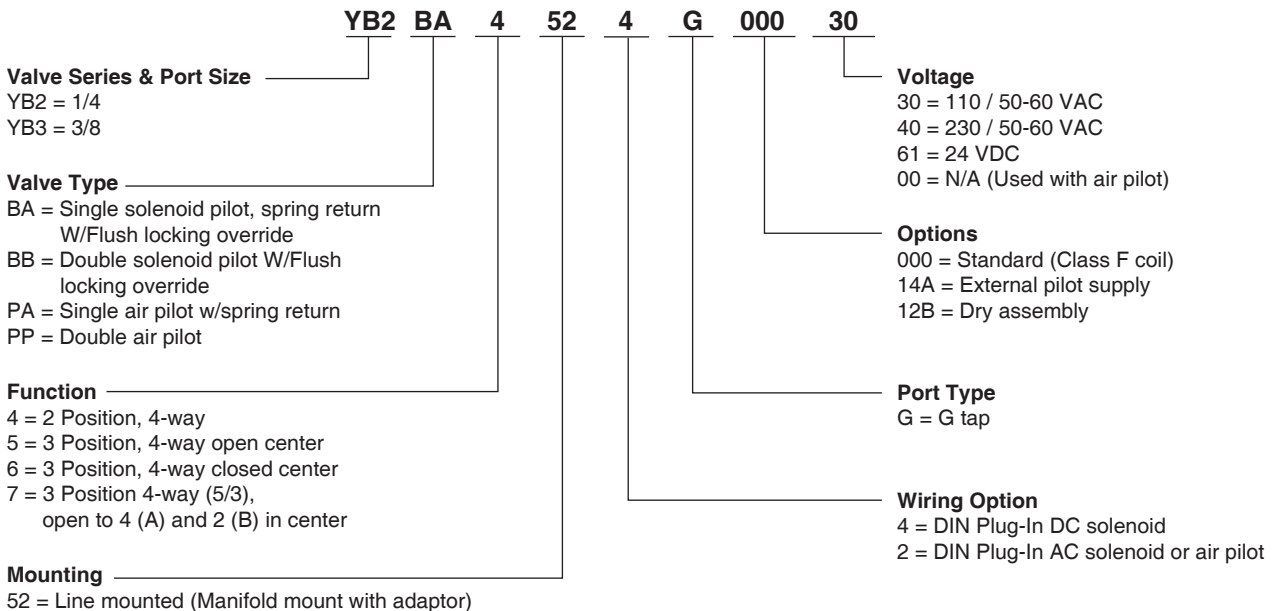
**STANDARD VOLTAGES**

DC (=) : 24V  
 AC (-) : 110V-230V/50-60Hz

**TECHNICAL DATA (YA)**

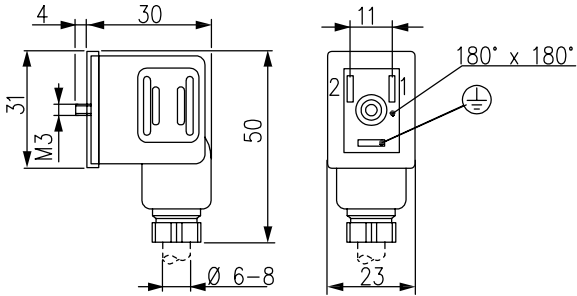
Valve Data	English		Metric	
Cv	1/8 = 1.0	1/4 = 1.0	1/8 = 1.0	1/4 = 1.0
Flow Capacity	46 SCFM upstream pressure to atmosphere @ 80 PSIG		985 NI/m @ 6 bar upstream/5 bar downstream	
Main Valve Operating Pressure Range	28" HG. Vacuum to 150 PSIG		Vacuum to 10 bar	
Pilot Pressure Range: Internal and External	14.5 to 150 PSIG		1 to 10 bar	
Temperature Range: Solenoid Pilot (ambient)	-10°F to +115°F		-23°C to +46°C	

**HOW TO ORDER**



Note: Plug connector is included with DIN solenoid

**PLUG CONNECTOR ASSEMBLIES**



Plug Connector Description	Part No.
Black Plug Assembly	88122404

**SOLENOID ASSEMBLIES\***

Standard Voltages	110/50-60 VAC	230/50-60 VAC	24 VDC
Part No.	43005069	43004886	43004869

\* To be sold separately

**MANIFOLD**

Manifold Stations	G3/8 Part No.	Manifold Stations	G3/8 Part No.
2 Stations	106-715	8 Stations	106-721
3 Stations	106-716	9 Stations	106-722
4 Stations	106-717	10 Stations	106-723
5 Stations	106-718	11 Stations	106-724
6 Stations	106-719	12 Stations	106-725
7 Stations	106-720	-	-

**BLANK STATION PLATE KIT**  
239-417-SJ

**ADAPTOR KIT**  
239-312



# SOLENOID VALVES

direct acting  
brass or stainless steel bodies  
G 1/8"

2/2  
Series  
**L172**  
**L176**

## FEATURES

- Direct acting solenoid valve.
- Suitable to shut off liquid and gaseous fluids (verify the compatibility of fluid with material in contact).
- Better performance with epoxy coil under moist & high temperature environment

## STANDARD VOLTAGES

DC (=) : 24V

AC (-) : 115V/50Hz-120V/60Hz; 230V/50-60Hz



## SPECIFICATIONS

Port Size ISO 228	Orifice Size (mm)	Δp Min	Differential Pressure (bar)				Kv (m <sup>3</sup> /h)	Series and Type			Power Absorption				Sealings	Weight (kg)
			Δp Max					Body	Valve	Coil	AC (VA)			DC		
			Gases		Liquids						Inrush VA	Holding				
			AC	DC	AC	DC						VA	W			
G1/8	1.2	0	28	20	28	20	0.05	Brass	L172V03	ZB12AX	12	6	4	5.5	FPM	0.16
	1.6		20	12	20	12	0.08									
	2		15	6	15	6	0.11									
	2.4		12	4	12	4	0.13									
	1.2		28	20	28	20	0.05	Stainless steel	L172V07	ZB12AX	12	6	4	5.5	FPM	0.145
	1.6		20	12	20	12	0.08									
	2		15	6	15	6	0.11									
	2.4		12	4	12	4	0.13									
G1/4	1.6	0	20	12	20	12	0.08	Brass	L176V03	ZB12AX	12	6	4	5.5	FPM	0.16
	2.4		12	4	12	4	0.16									
	1.6		20	12	20	12	0.08	Stainless steel	L176V07							
	2.4		12	4	12	4	0.16									



# SOLENOID VALVES

normally closed/normally open  
pilot operated

**2/2**  
Series  
**L182**  
**L282**

## FEATURES

- Diaphragm valve, pilot operated, having full orifice
- Suitable to shut off liquid and gaseous fluids (verify the compatibility of fluid with material in contact.)
- Better performance with epoxy coil under moist & high temperature environment (for N.C)
- High flow, long life
- Easy maintenance



## STANDARD VOLTAGES

DC (=) : 24V

AC (-) : 115V/50Hz-120V/60Hz; 230V/50-60Hz

## SPECIFICATIONS

Port Size ISO 228	Orifice Size (mm)	Differential Pressure (bar)				Kv (m <sup>3</sup> /h)	Series and Type		Power Absorption				Sealing	Weight (kg)							
		Δp (kg) Min	Δp Max						AC (VA)			DC W									
			Gases		Liquids		Inrush VA	Holding													
			AC	DC	AC			DC	VA	VA	W										
<b>NC - Normally closed, Brass body</b>																					
G3/8	13.5	0.35	16	16	16	16	2.5	L182B01	ZB12AX	12	6	4	5.5	NBR	0.32						
G1/2	13.5		16	16	16	16	3.8								0.38						
G3/4	18		12	12	12	12	5								0.52						
G1	24		12	12	12	12	12								1.08						
G3/8	13.5		12	12	12	12	2.5							L182V01	ZB12AX	12	6	4	5.5	FPM	0.32
G1/2	13.5		12	12	12	12	3.8														0.38
G3/4	18		10	10	10	10	5														0.52
G1	24		10	10	10	10	12														1.08
G3/8	13.5		16	16	16	16	2.5	L182D01	ZB12AX	12	6	4	5.5	EPDM	0.32						
G1/2	13.5		16	16	16	16	3.8								0.38						
G3/4	18		12	12	12	12	5								0.52						
G1	24		12	12	12	12	12								1.08						
<b>NC - Normally closed, Stainless Steel Body</b>																					
G3/8	13.5		0.35	12	12	12	12	2.5	L182V09	ZB12AX	12	6	4	5.5	FPM	0.32					
G1/2	13.5			12	12	12	12	3.8								0.38					
G3/4	18			10	10	10	10	5								0.52					
G1	24	10		10	10	10	12	1.08													
G3/8	13.5	16		16	16	16	2.5	L182D09								ZB12AX	12	6	4	5.5	EPDM
G1/2	13.5	16		16	16	16	3.8		0.38												
G3/4	18	12		12	12	12	5		0.52												
G1	24	12		12	12	12	12		1.08												
<b>NO - Normally open, Stainless Steel Body</b>																					
G3/8	13.5	0.35		12	-	12	-	2.5	L282V09	ZB12K	11.7	10	7.6	-	FPM	0.3					
G1/2	13.5		12	-	12	-	3.8	0.35													
G3/4	18		10	-	10	-	5	0.5													
G1	24		10	-	10	-	12	1.09													
G3/8	13.5		-	12	-	12	2.5	ZC12A								-	-	-	5.5	5.5	0.37
G1/2	13.5		-	12	-	12	3.8			0.41											
G3/4	18		-	10	-	10	5			0.56											
G1	24		-	10	-	10	12			1.16											



## SERIES L182&L282

### SPECIFICATIONS

Port Size ISO 228	Orifice Size (mm)	Differential Pressure (bar)				Kv (m <sup>3</sup> /h)	Series and Type		Power Absorption				Sealing	Weight (kg)							
		Δp (kg) Min	Δp Max				Valves	Coil	AC (VA)			DC									
			Gases		Liquids				Inrush VA	Holding											
			AC	DC	AC					DC	VA				W	W					
<b>NO - Normally open, Brass body</b>																					
G3/8	13.5	0.35	-	12	-	12	2.5	L282B01	ZC10A ZC12A	-	-	-	5.5	NBR	0.32						
G1/2	13.5		-	12	-	12	3.8			0.38											
G3/4	18		-	12	-	12	5			0.52											
G1	24		-	12	-	12	12			1.08											
G3/8	13.5		12	-	12	-	2.5		ZB10K ZB12K	11.7	10	7.6	-		0.32						
G1/2	13.5		12	-	12	-	3.8								0.38						
G3/4	18		12	-	12	-	5								0.52						
G1	24		12	-	12	-	12								1.08						
G3/8	13.5		-	12	-	12	2.5								L282V01	ZC10A ZC12A	-	-	-	5.5	0.32
G1/2	13.5		-	12	-	12	3.8														0.38
G3/4	18	-	10	-	10	5	0.52														
G1	24	-	10	-	10	12	1.08														
G3/8	13.5	12	-	12	-	2.5	ZB10K ZB12K	11.7	10	7.6	-	0.32									
G1/2	13.5	12	-	12	-	3.8						0.38									
G3/4	18	10	-	10	-	5						0.52									
G1	24	10	-	10	-	12						1.08									

Note: B(NBR)=Nitrile-butylene elastomer V(FPM)=Fluoro-carbon elastomer D(EPDM)=Ethylene-propylene elastomer



# SOLENOID VALVES

normally closed  
pilot operated

**2/2**  
Series  
**L182 BIG**

## FEATURES

- Diaphragm valve, pilot operated, having full orifice
- Suitable to shut off liquid and gaseous fluids (verify the compatibility of fluid with material in contact.)
- High flow, long life
- Easy maintenance

## STANDARD VOLTAGES

DC (=) : 24V

AC (-) : 220V/50Hz-240V/60Hz



## SPECIFICATIONS

Port Size ISO 228	Orifice Size (mm)	Differential Pressure (bar)				Kv (m <sup>3</sup> /h)	Series and Type			Power Absorption			Sealings	Weight (kg)	
		Δp Min	Δp Max				Valve	Valve with Manual Override	Coil	AC (VA)		DC (W)			
			Gases		Liquids					Inrush	Holding				
			AC	DC	AC										DC
G1 1/4	30	0.50	10	10	10	10	L182BB01	L182BB02	ZA10A	23	14	9	NBR (diaphragm) FPM (actuator)	1.59	
G1 1/2	45													27	2.51
G 2	45													34	2.99
G1 1/4	30						L182VB01	L182VB02					1.59		
G1 1/2	45													27	2.51
G 2	45													34	2.99



# SOLENOID VALVES

normally closed  
pilot operated

**2/2**  
Series  
**L282 BIG**

## FEATURES

- Diaphragm valve, pilot operated, having full orifice
- Suitable to shut off liquid and gaseous fluids (verify the compatibility of fluid with material in contact.)
- High flow, long life
- Easy maintenance

## STANDARD VOLTAGES

DC (=) : 24V

AC (-) : 220V/50-240V/60Hz



## SPECIFICATIONS

Port size ISO 228	Orifice size (mm)	Differential pressure (bar)				Kv (m <sup>3</sup> /h)	Series and type		Power absorption				Sealing	Weight (kg)	
		$\Delta p$ (kg) min	$\Delta p$ max				Valves	Coil	AC (VA)			DC W			
			Gases		Liquids				Inrush VA	Holding					
			AC	DC	AC					DC	VA				W
<b>NO - Normally open, Brass Body</b>															
G1 1/4	30	0.5	10	-	10	-	15	L282B48	ZA10Y	28	20	-	-	NBR	1.59
G1 1/2	45		9	-	9	-	27								2.51
G2	45		9	-	9	-	34		2.99						
G1 1/4	30		-	10	-	10	15		ZA10A	-	-	-	9		1.59
G1 1/2	45		-	9	-	9	27								2.51
G2	45		-	9	-	9	34		2.99						

Note: B(NBR)=Nitrile-butylene elastomer



# SOLENOID VALVES

direct acting  
brass or stainless steel bodies  
G 1/8"

**3/2**  
Series  
**L372**  
**L376**

## FEATURES

- Direct acting solenoid valve
- Suitable to shut off liquid and gaseous fluids (verify the compatibility of fluid with material in contact)
- Better performance with epoxy coil under moist & high temperature environment

## STANDARD VOLTAGES

DC (=) : 24V

AC (-) : 115V/50Hz-120V/60Hz; 230V/50-60Hz



## SPECIFICATIONS

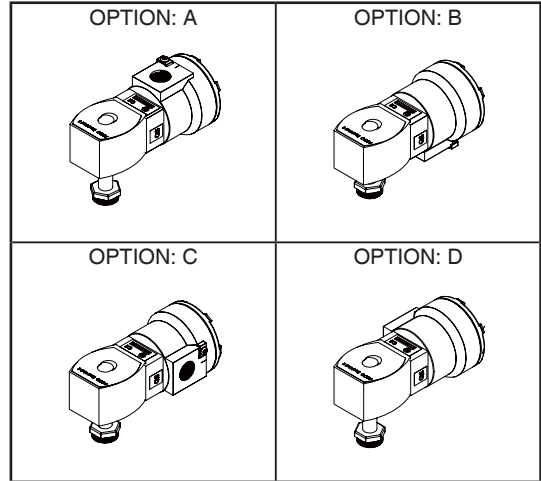
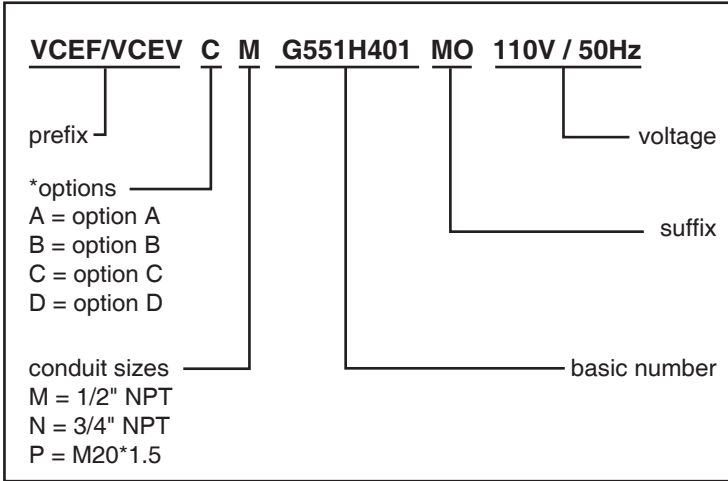
Port Size ISO 228	Orifice Size (mm)		Differential Pressure (bar)				Kv (m <sup>3</sup> /h)		Series and Type			Power Absorption			Sealings	Weight (kg)		
			Δp Min	Δp Max		AC (VA)						DC						
				Gases c.a.	Liquids c.c.	Inrush VA	Holding											
	1↔2	1↔3	c.a.				c.c.	1↔2	1↔3	Body	Valve	Coil	VA	VA			W	W
<b>NC - Normally closed</b>																		
G1/8	1.2	1.2	0	15	15	15	15	0.05	0.05	Brass	L372V03C	ZB12AX	12	6	4	5.5	FPM	0.155
	1.6	1.2		10	10	10	10	0.08	0.05									
	2	1.2		5	5	5	5	0.1	0.05									
	2.4	1.2		4	4	4	4	0.13	0.05									
G1/8	1.2	1.2	0	15	15	15	15	0.05	0.05	Stainless steel	L372V07C	ZB12AX	12	6	4	5.5	FPM	0.14
	1.6	1.2		10	10	10	10	0.08	0.05									
	2	1.2		5	5	5	5	0.1	0.05									
G1/4	1.6	1.2		10	10	10	10	0.08	0.05	Brass	L376V03C	ZB12AX	12	6	4	5.5	FPM	0.205
	2.4	1.2	0	4	4	4	4	0.14	0.05									
	1.6	1.2		10	10	10	10	0.08	0.05	Stainless steel	L376V07C							
	2.4	1.2		4	4	4	4	0.14	0.05									

# TECHNICAL INFORMATION - VCEF&VCEV INSTALLATION

## ORDERING EXAMPLES VALVES

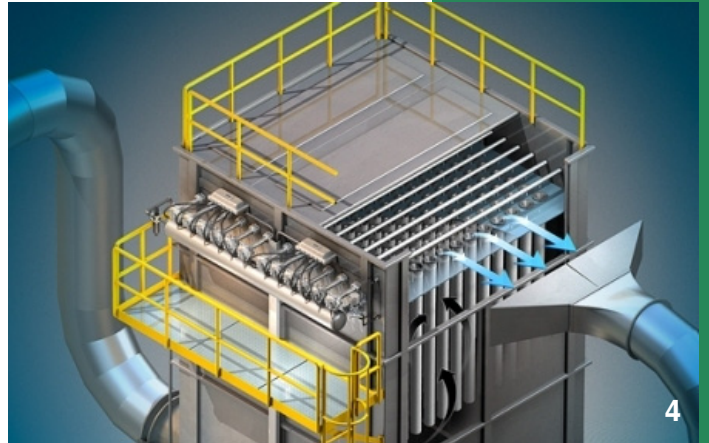
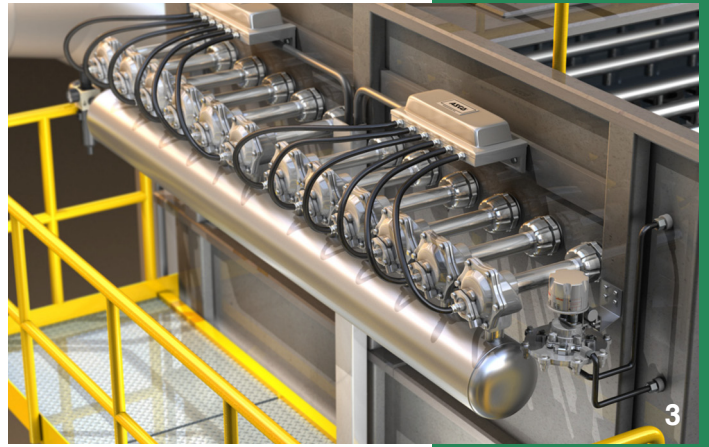
Add prefix corresponding to specific conduit size required to any RedHat II valve catalog number & specify the voltage.

\*options



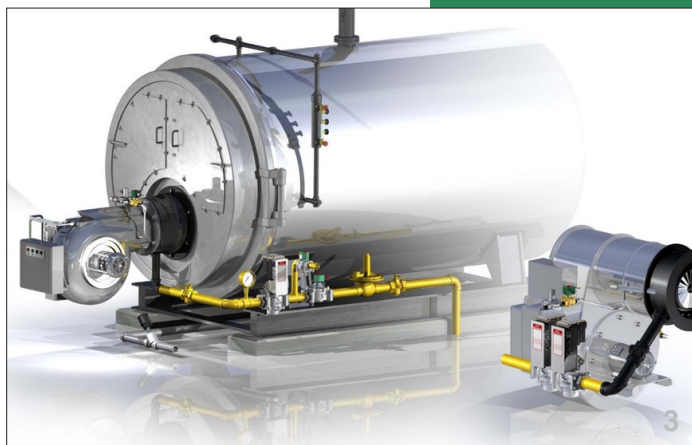
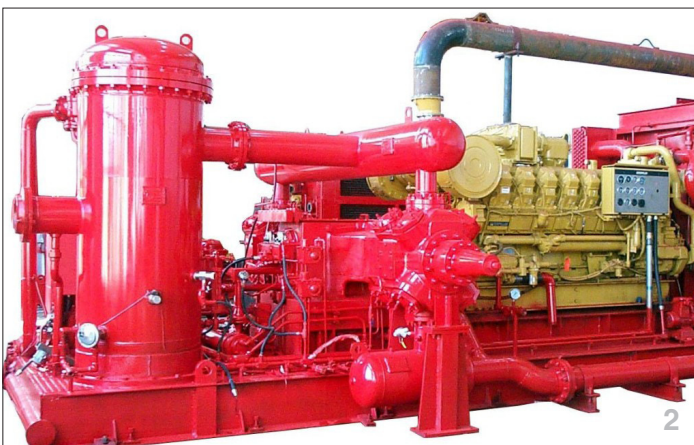
## INSTALLATION

- Installation/Maintenance instructions are included with each valve
- The solenoid operators can be mounted in any position without affecting operation
- For optimum life and performance, the solenoid should be mounted vertically and upright to reduce the possibility of foreign matter accumulating in the solenoid base sub-assembly area
- Internal and external earthing connection



Pic 1 - CNG Dispenser  
Pic 2 - LNG Dispenser  
Pic 3 - Dust Collection System  
Pic 4 - Dust Collection System

APPLICATION



Pic 1 - Textile Machine  
Pic 2 - Gas Compressor  
Pic 3 - Boiler  
Pic 4 - Industrial Furnace  
Pic 5 - Industrial Furnace

APPLICATION



# ASCO

## Asia Pacific Contacts

<b>Australia</b>	61 - 2 - 9454 - 6400
<b>China</b>	86 - 21 - 3338 - 7300
<b>India</b>	91 - 44 - 6633 - 7300
<b>Japan</b>	81 - 798 - 65 - 6361
<b>South Korea</b>	82 - 234 - 83 - 1570
<b>New Zealand</b>	64 - 9 - 441 - 0870
<b>Singapore</b>	65 - 6556 - 1100
<b>Taiwan</b>	886 - 2 - 8912 - 1233
<b>Thailand</b>	66 - 2962 - 7484
<b>Malaysia</b>	60 - 3 - 7949 - 9228
<b>Philippines</b>	63 - 2 - 479 - 5100
<b>Vietnam</b>	84 - 8 - 6290 - 3034
<b>Indonesia</b>	62 - 21 - 2966 - 6242

